

Installation Guide for AC-5000 V3.0

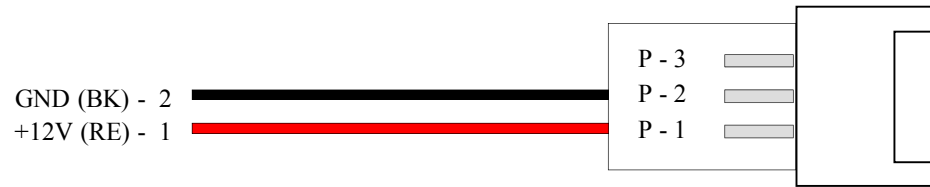
Fingerprint Identification Terminal



*AC-5000Plus
& AC-5100*

*Doc Ver1.1
OCT.,28.2016
R&D Center
Union Community Co., Ltd.*

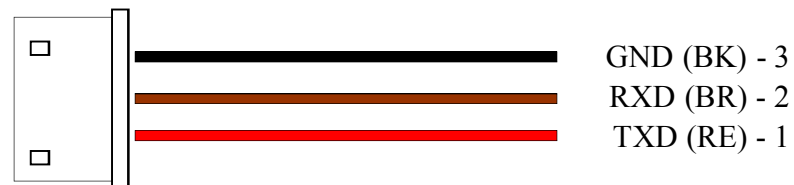
1. Description of External Cables



Power Adapter Cable

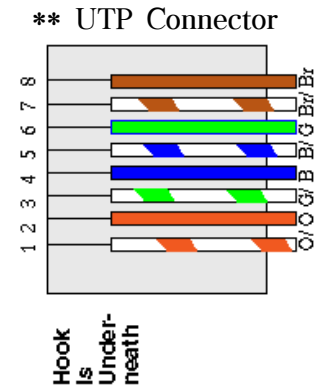
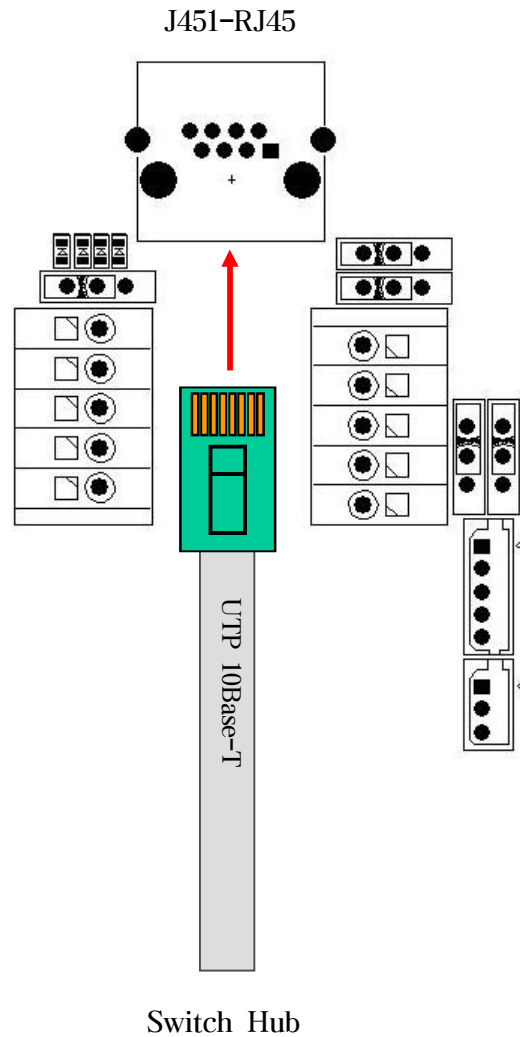


Wiegand Cable (5P)

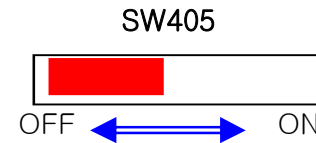
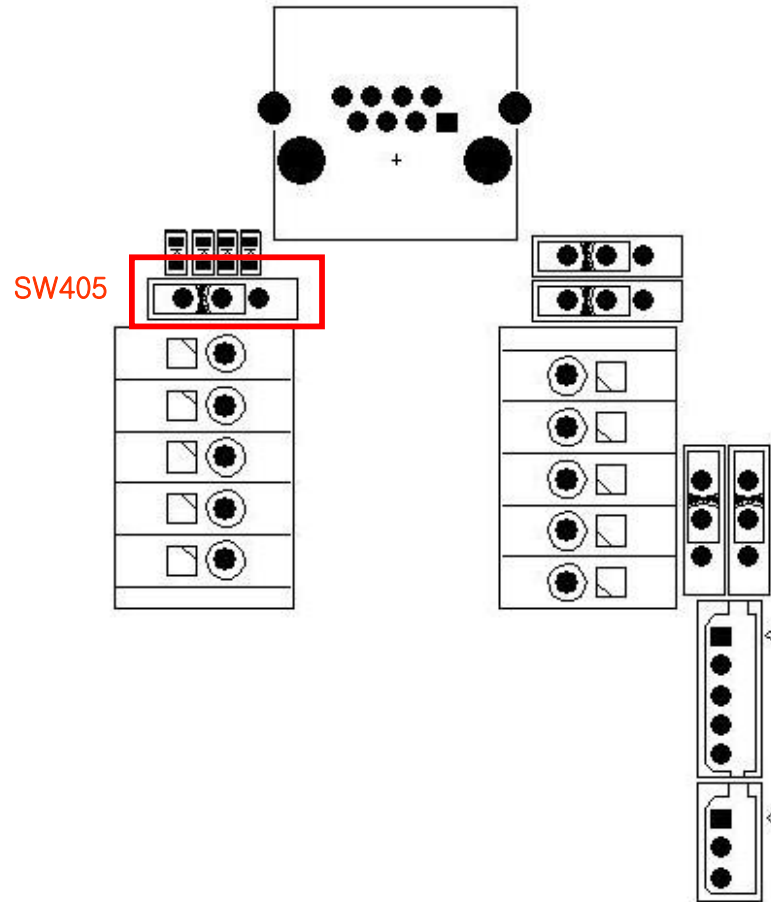


RS232 Cable (3P)

2. Connecting Ethernet (LAN) Cable

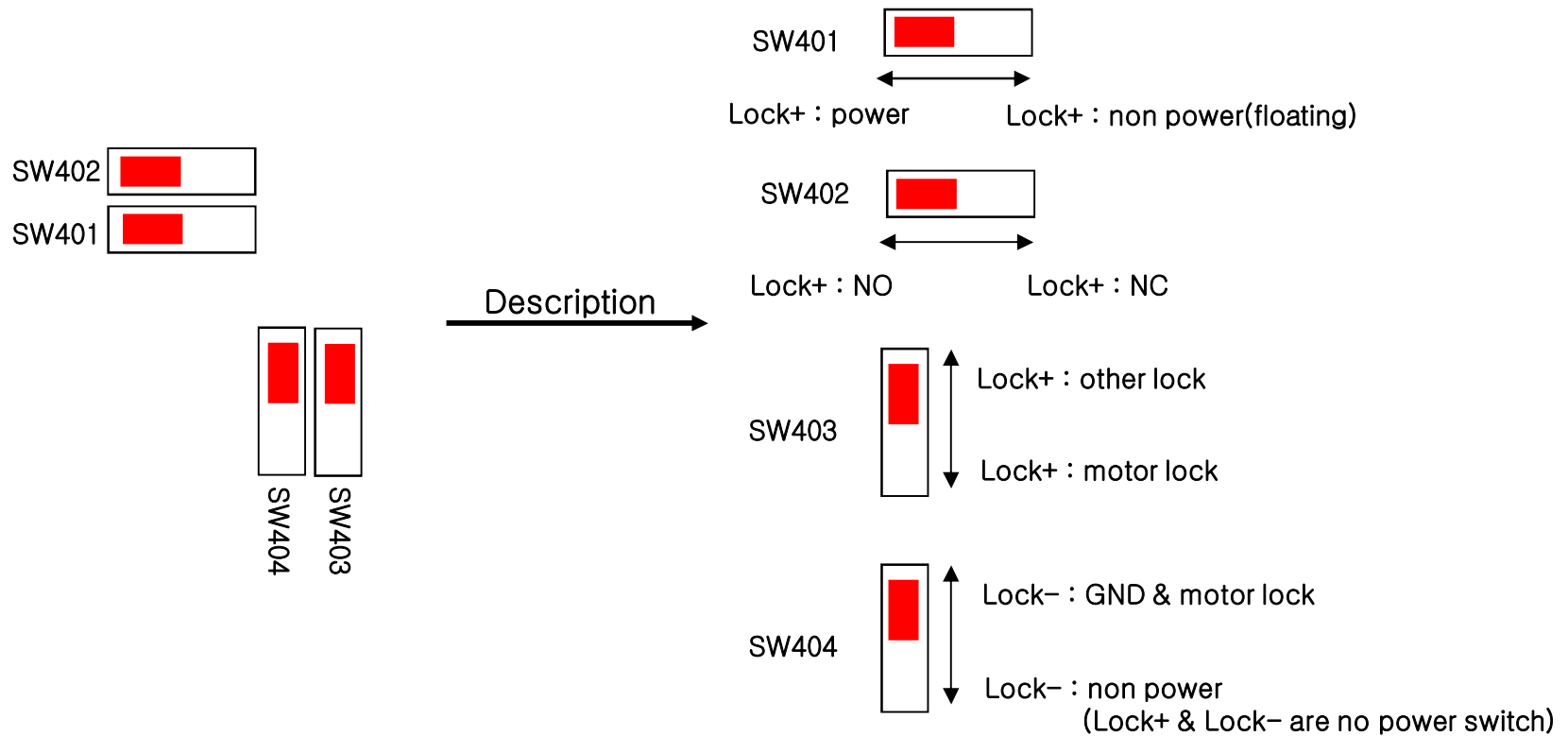


3. Resistor Setting for RS485 End Termination



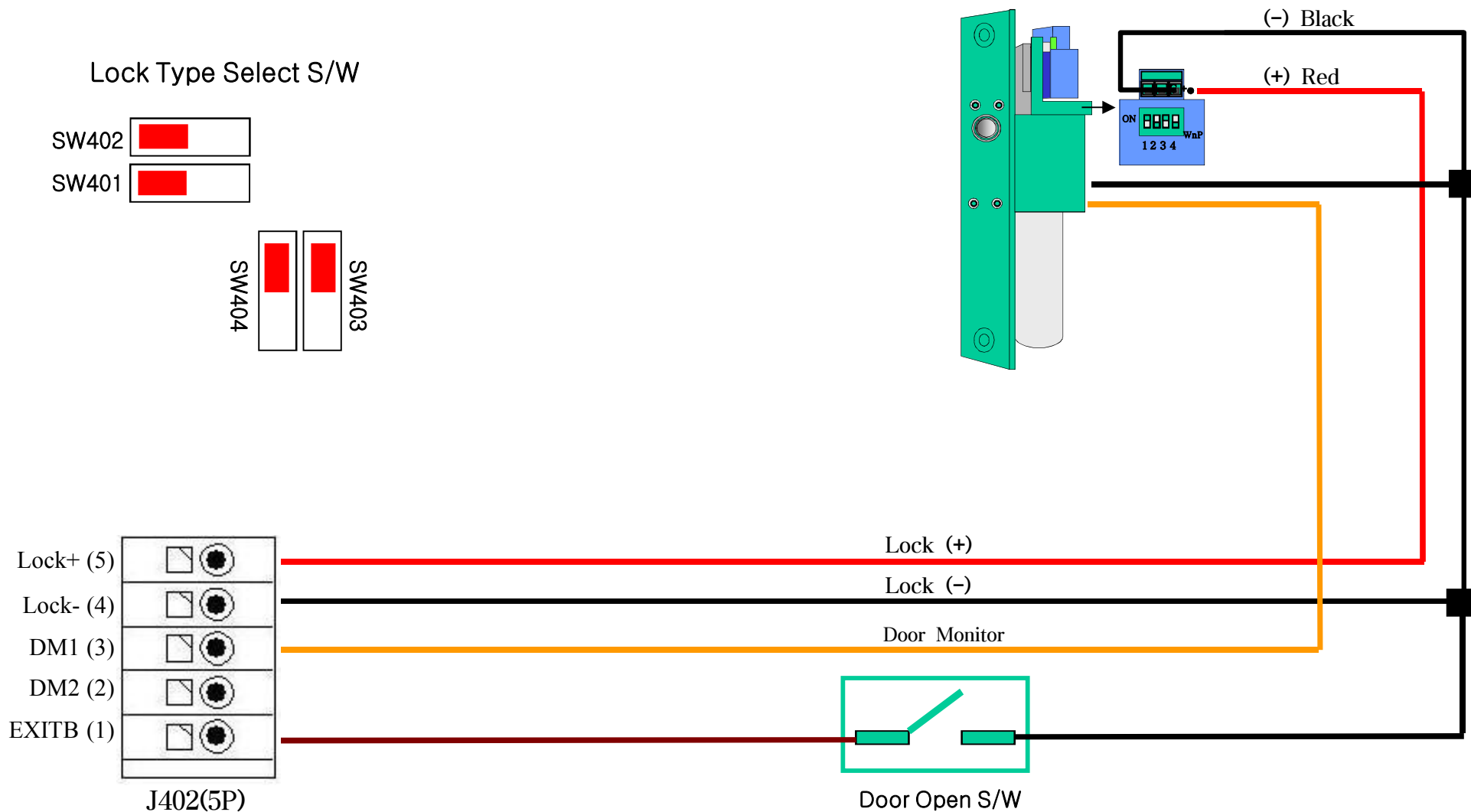
- * Default Setting is off.
- * ON: 120 Ohm Resistor is connected between 485A and 485B

4. Description of the switch for setting lock



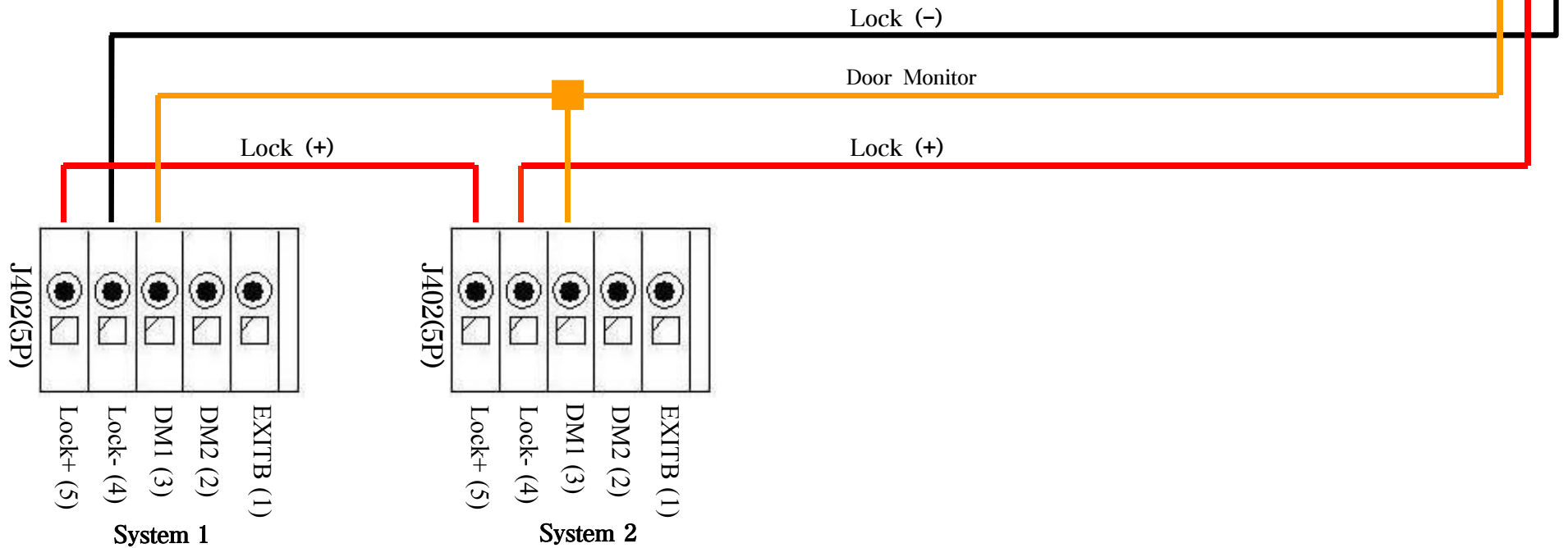
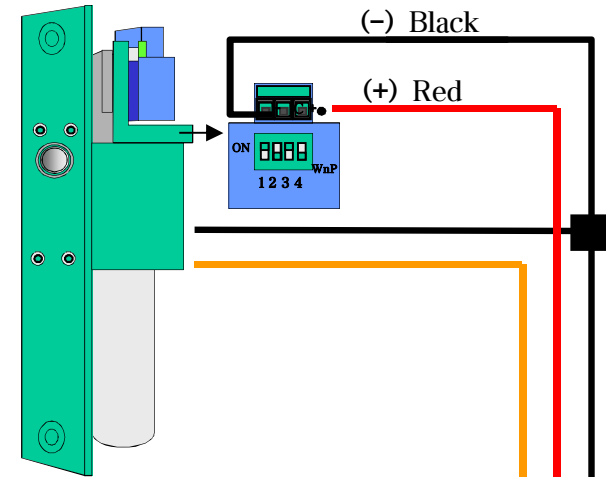
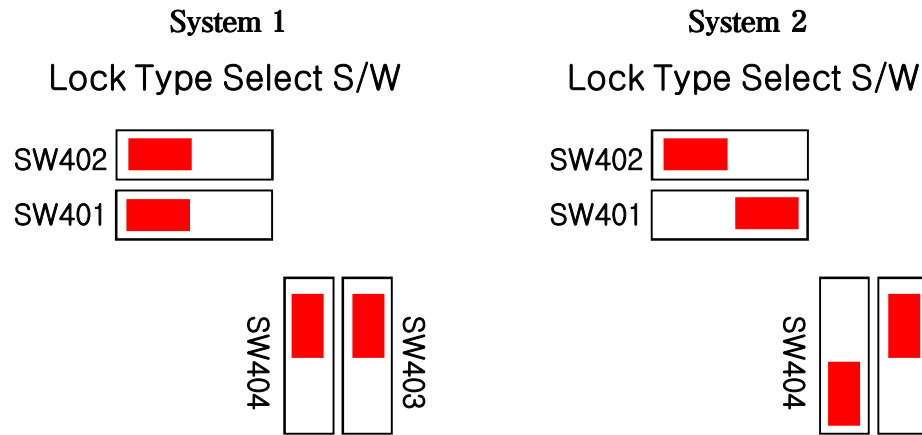
5. Connecting a Dead-Bolt Type Door Lock (Fail Safe)

5.1. Connecting One System/ One Lock



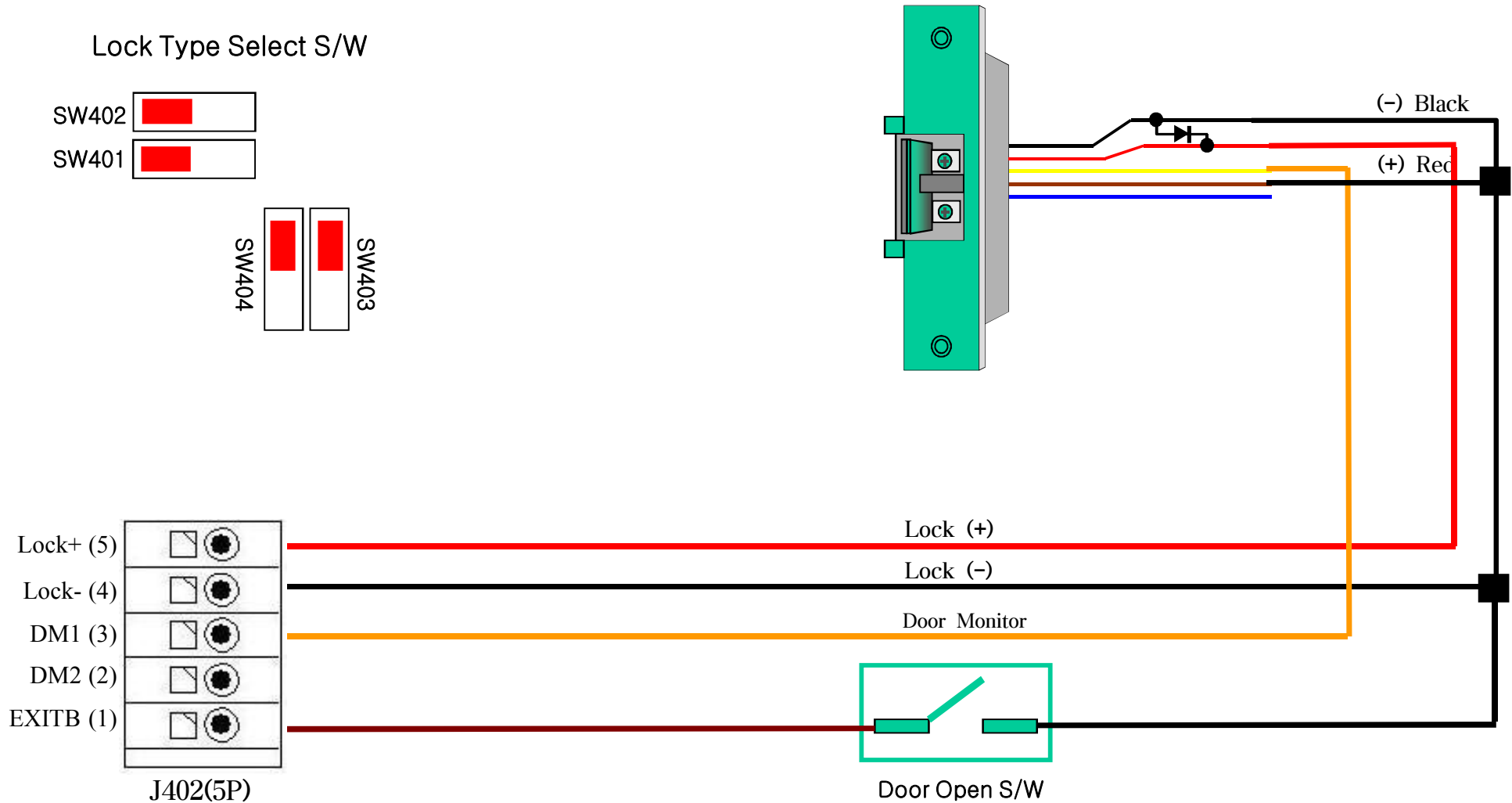
5. Connecting a Dead-Bolt Type Door Lock (Fail Safe)

5.2. Connecting Two Systems/ One Lock



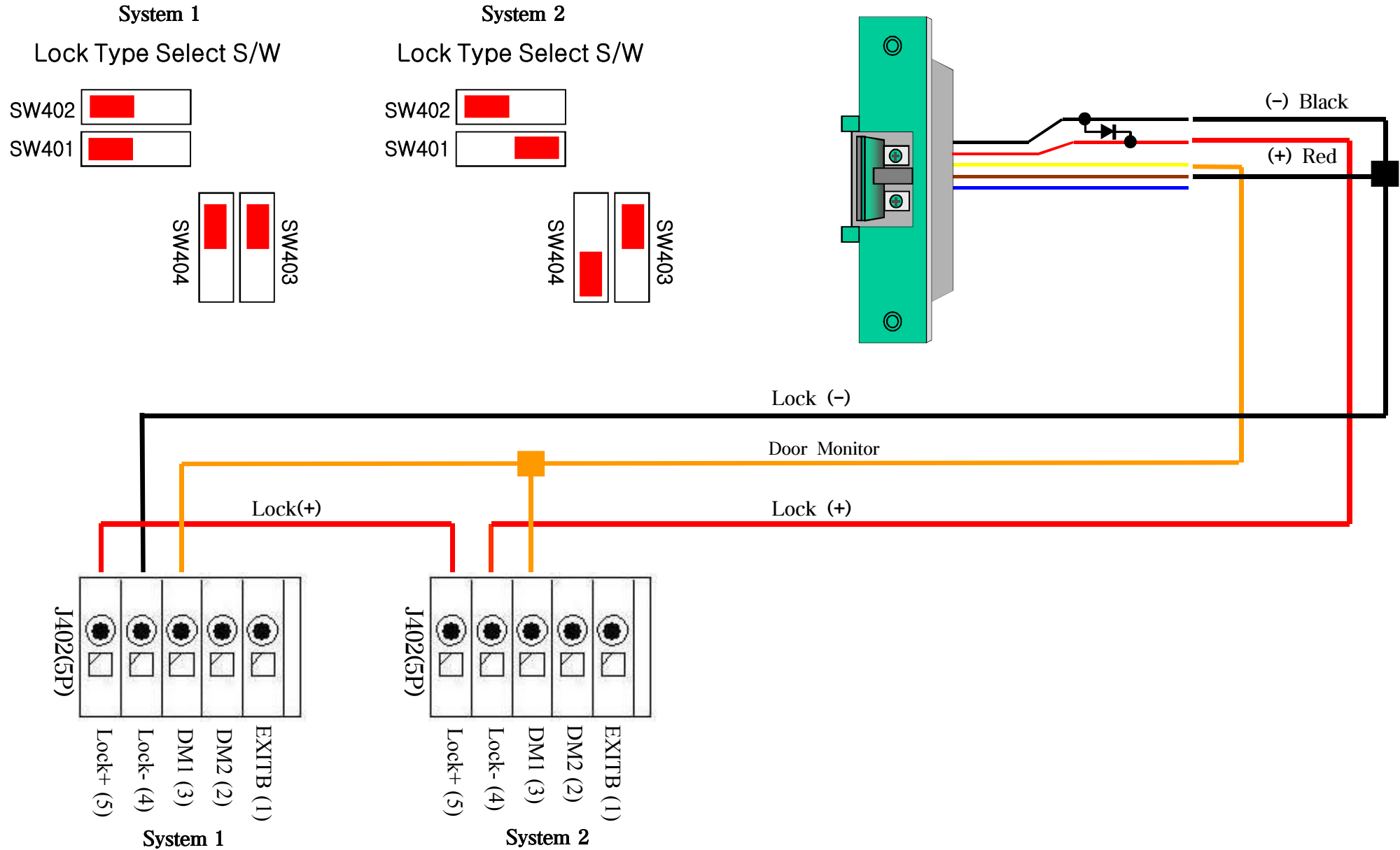
6. Connecting a Strike Type Door Lock (Fail Safe)

6.1. Connecting One System/ One Lock



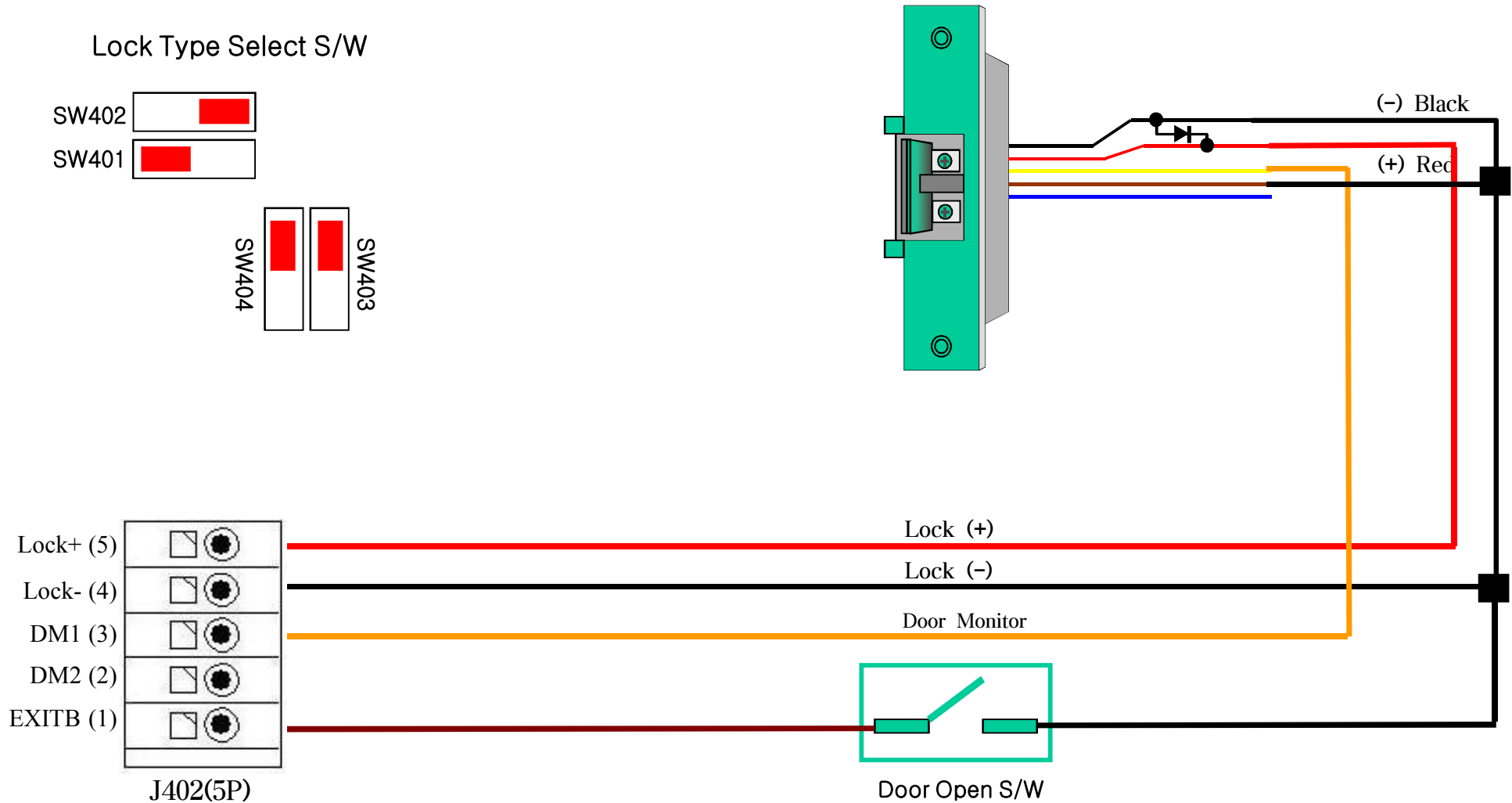
6. Connecting a Strike Type Door Lock (Fail Safe)

6.2. Connecting Two Systems/ One Lock



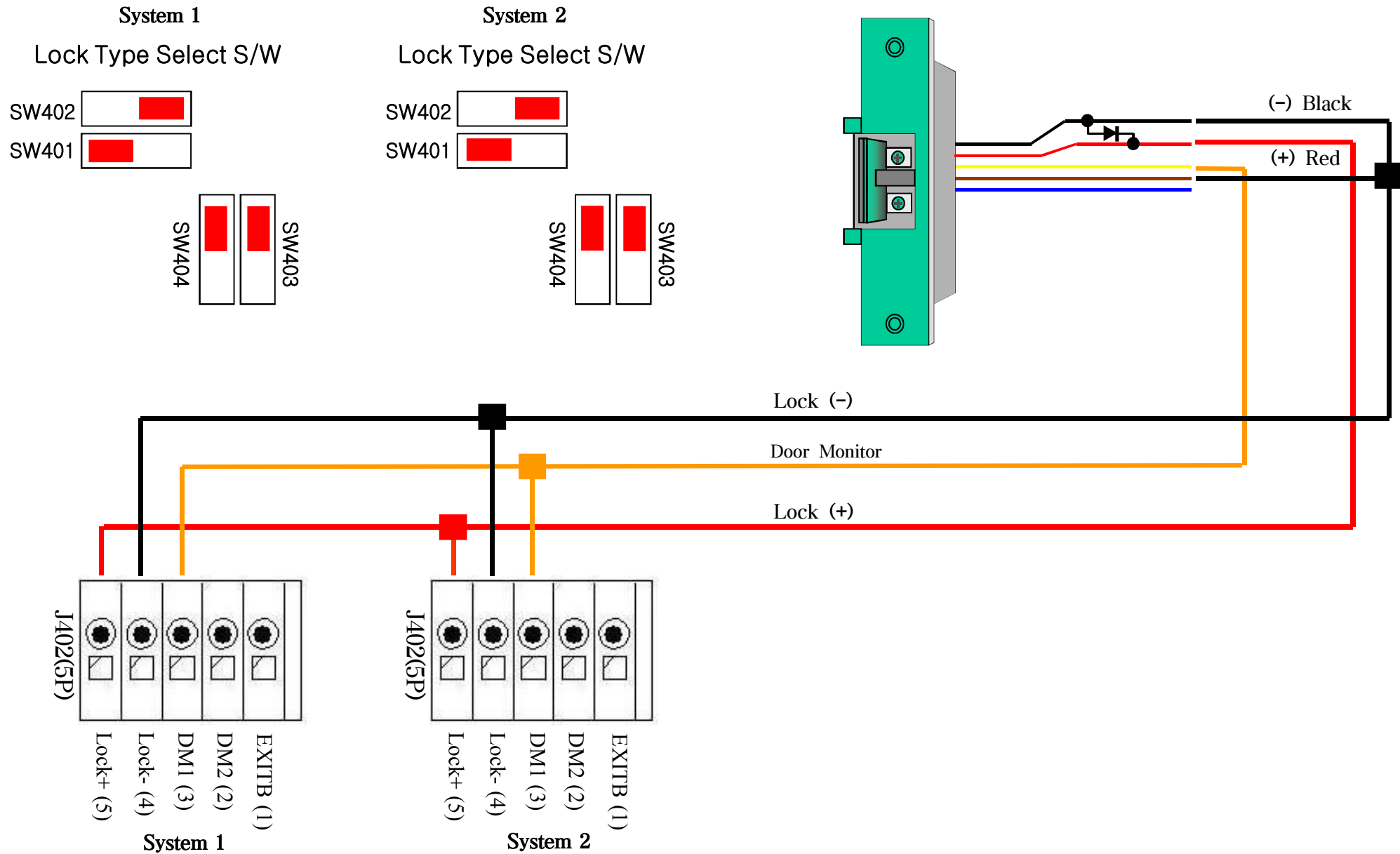
7. Connecting a Strike Type Door Lock (Fail Secure)

7.1. Connecting One System/ One Lock



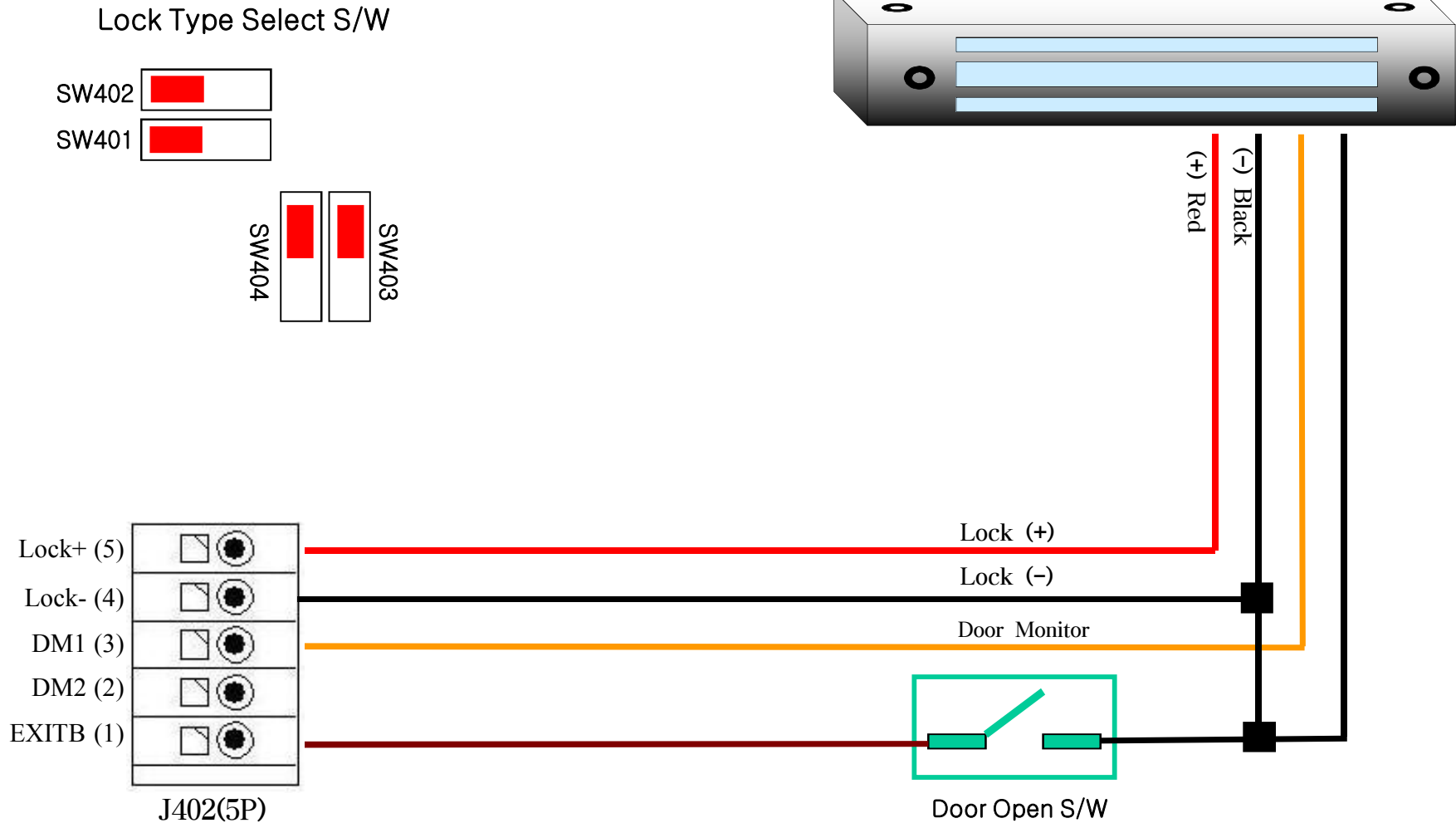
7. Connecting a Strike Type Door Lock (Fail Secure)

7.2. Connecting Two Systems/ One Lock



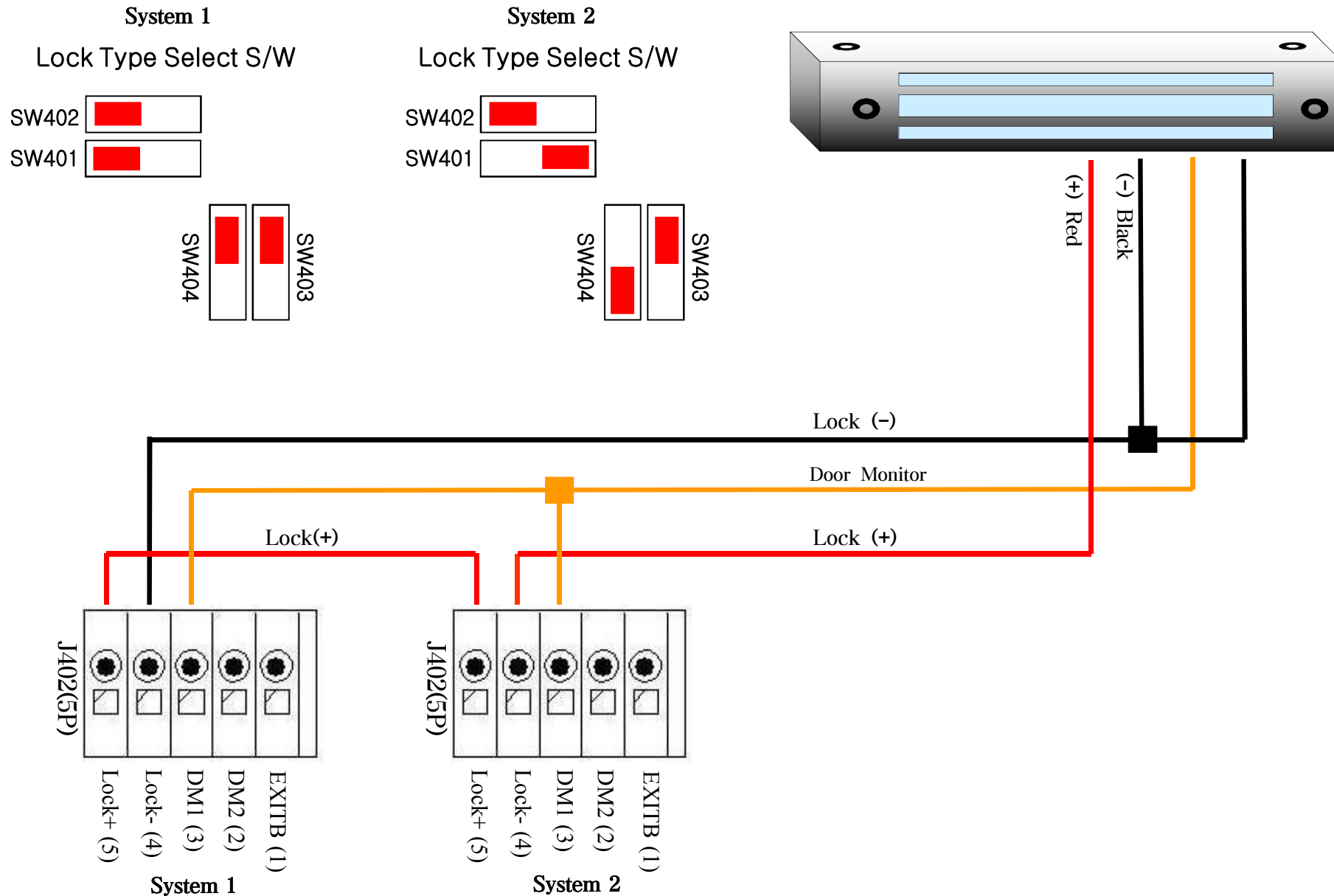
8. Connecting an EM Type Door Lock (Fail Safe)

8.1. Connecting One System/ One Lock



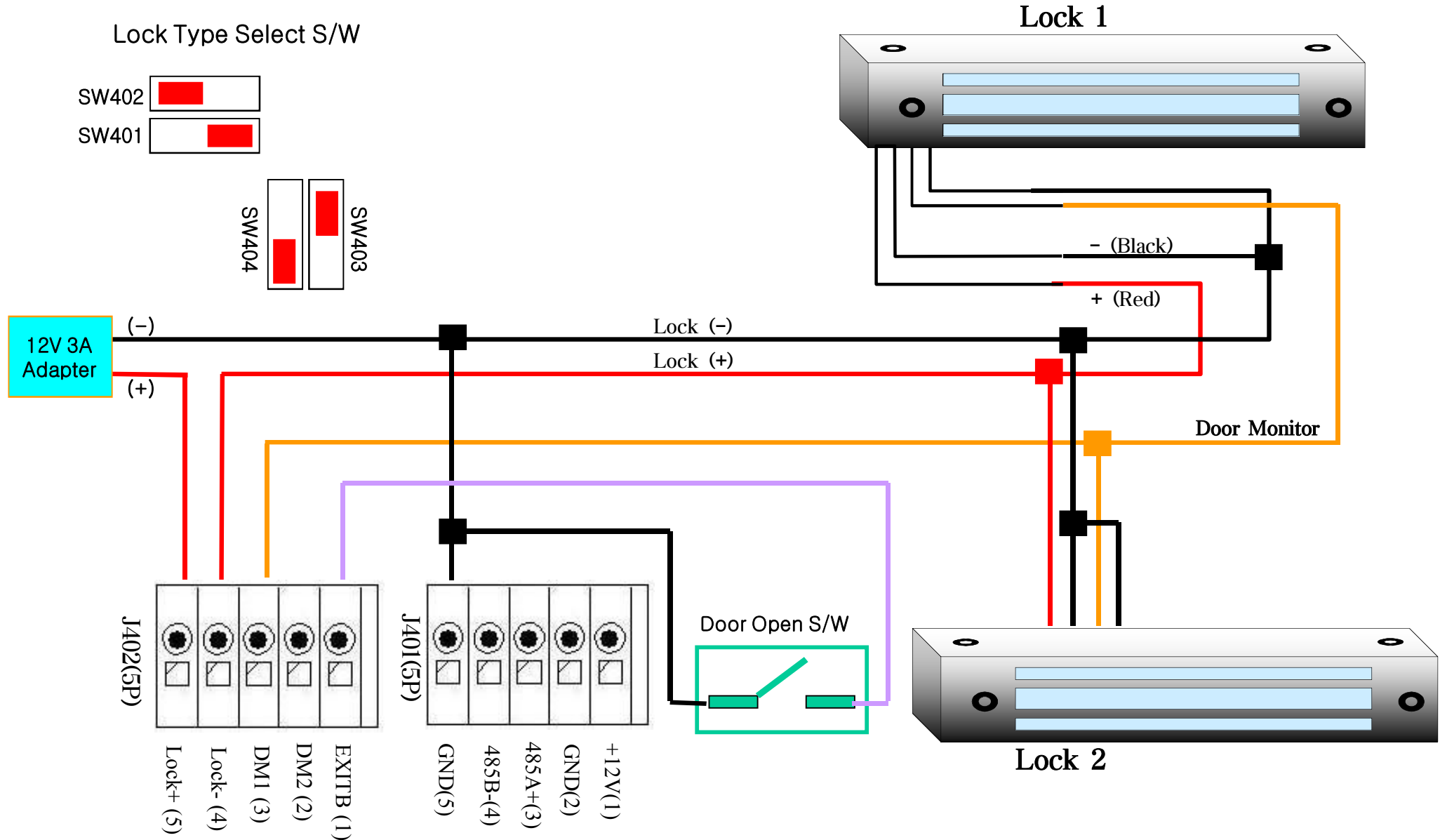
8. Connecting an EM Type Door Lock (Fail Safe)

8.2. Connecting Two Systems/ One Lock



8. Connecting an EM Type Door Lock (Fail Safe)

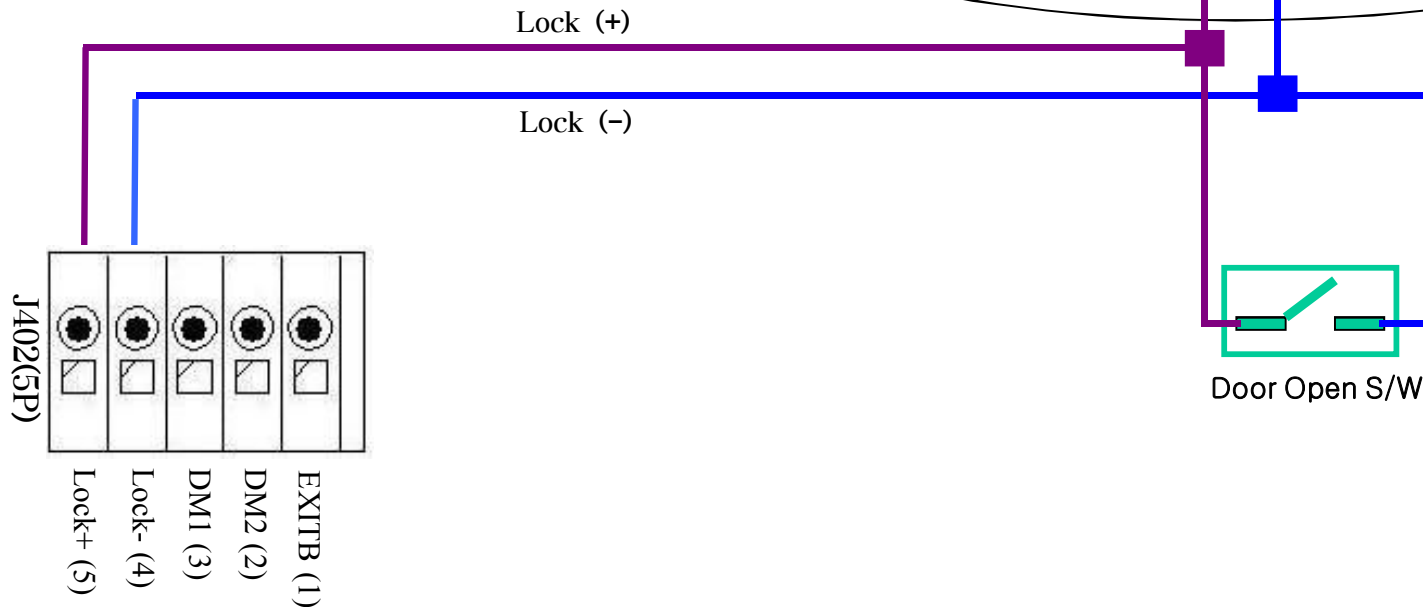
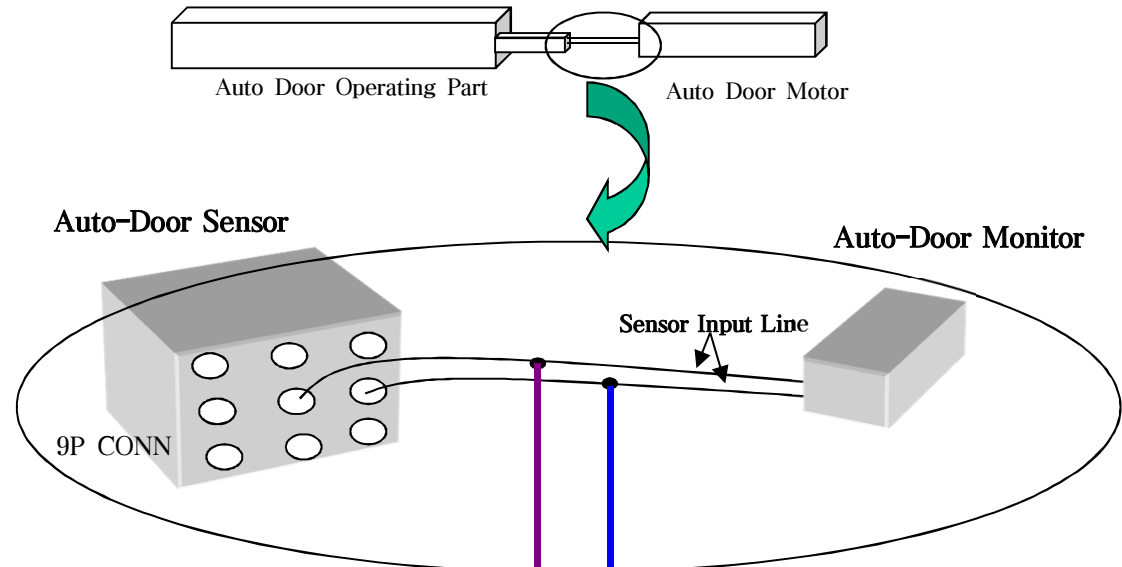
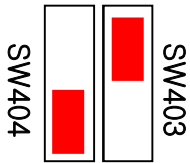
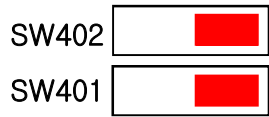
8.3. Connecting One System/ Two Locks “ Use external DC Power adapter”



9. Connecting Auto-Door (Contact Control)

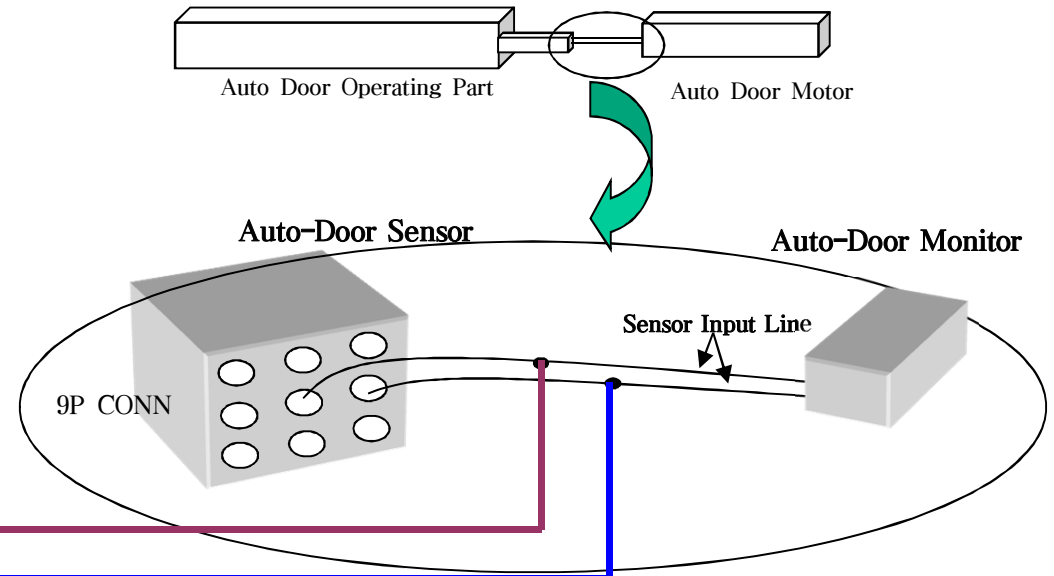
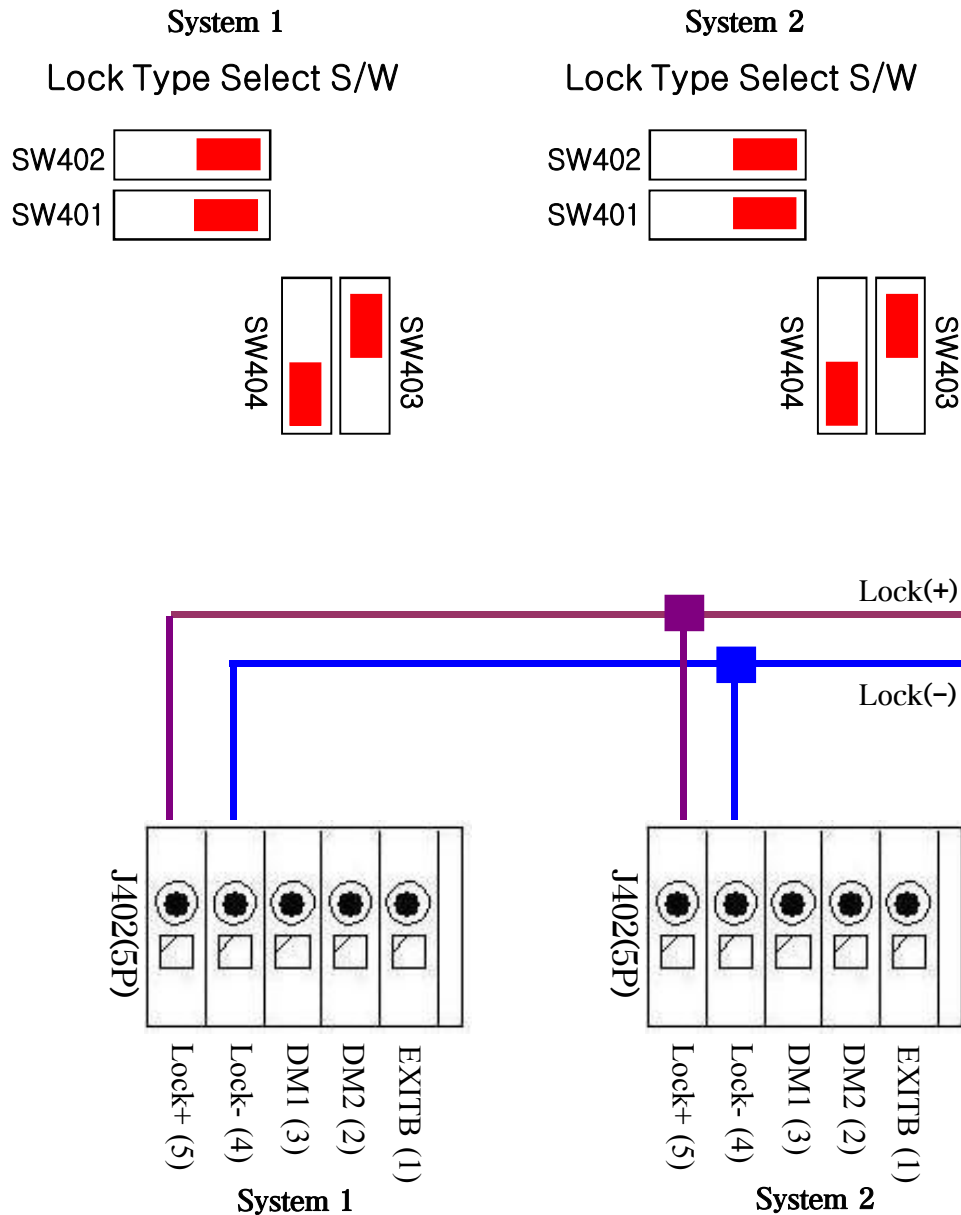
9.1. Connecting One System/ One Door

Lock Type Select S/W

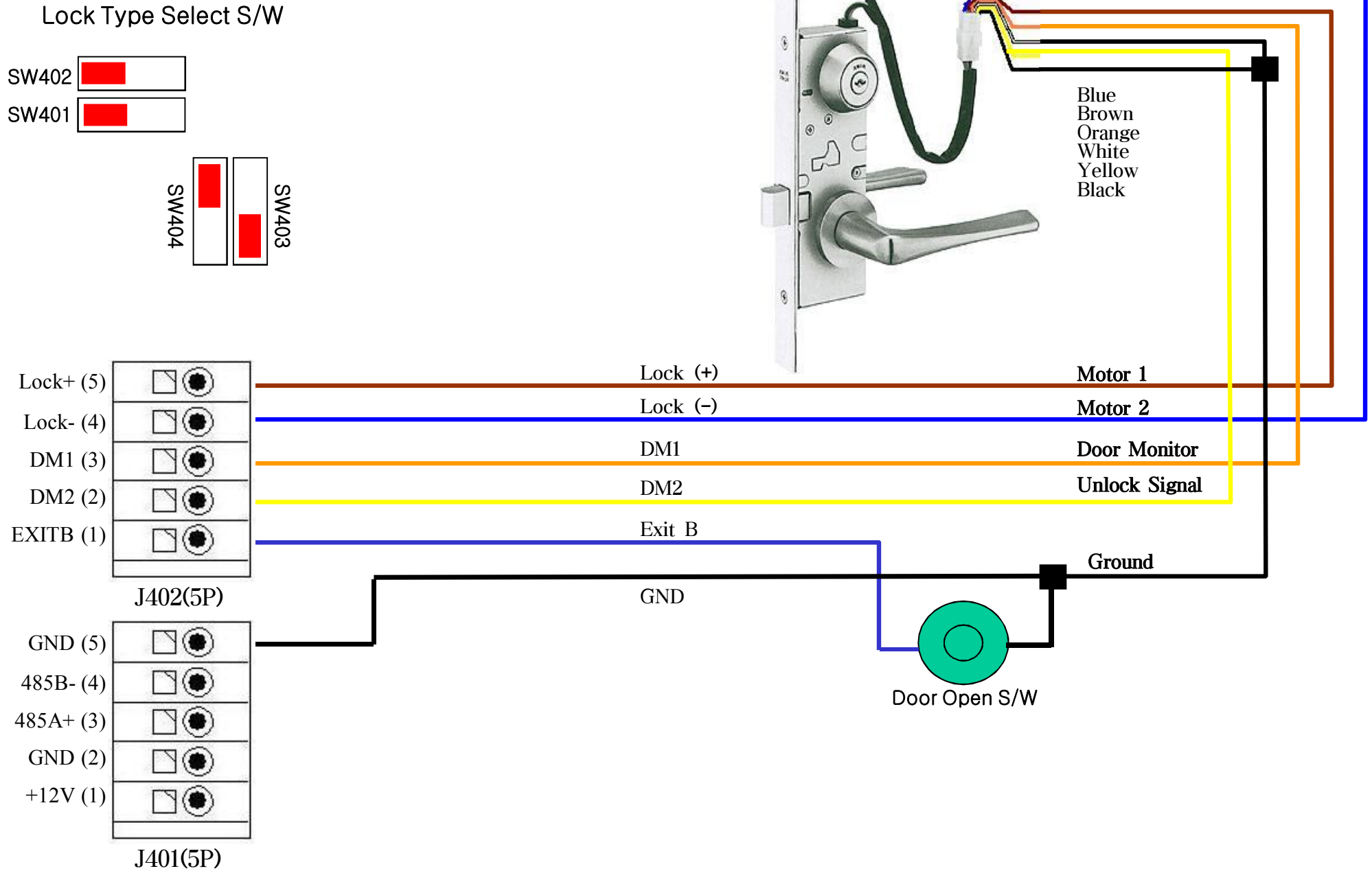


9. Connecting Auto-Door (Contact Control)

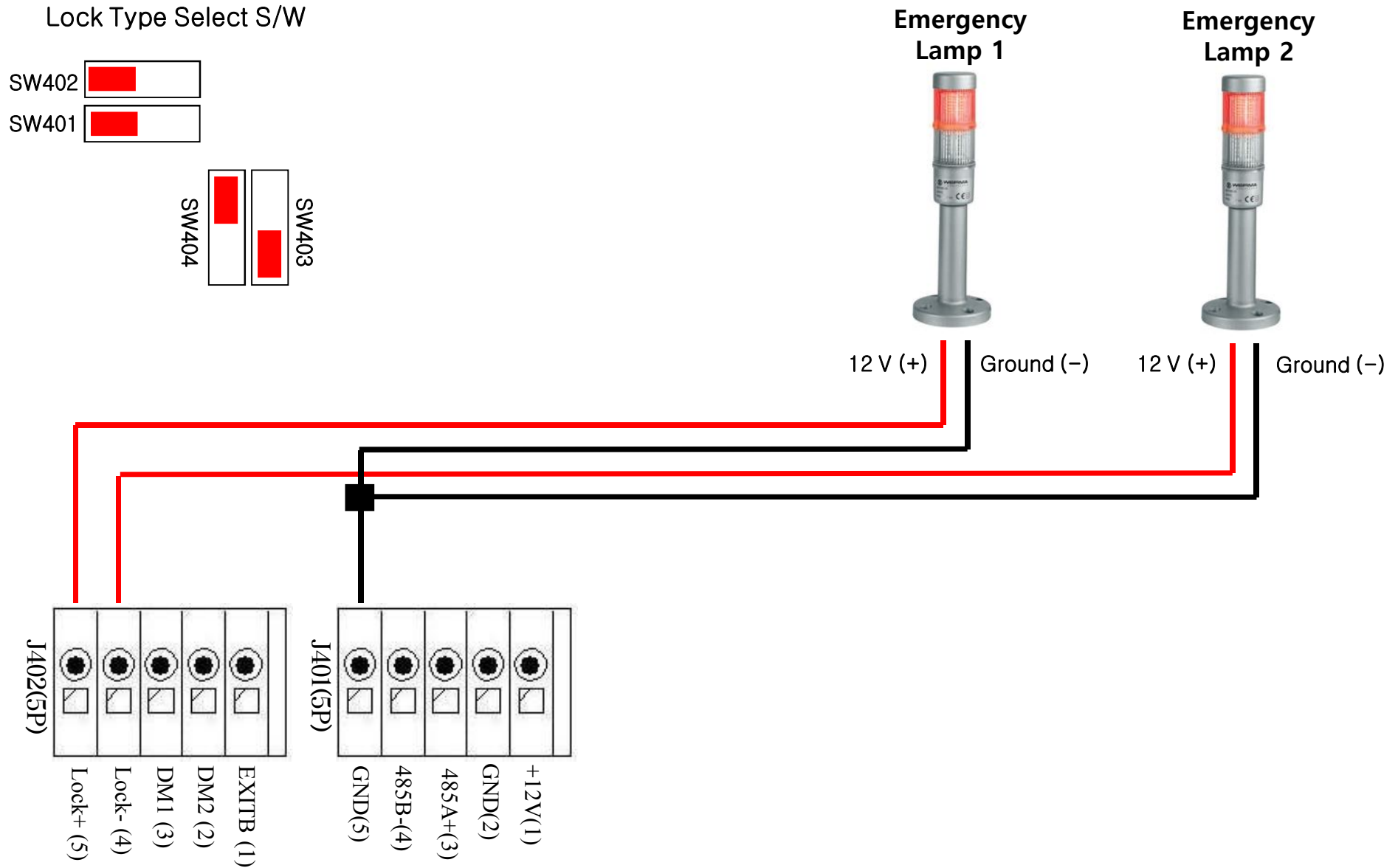
9.2. Connecting Two Systems/ One Door



10. Connecting a Motorised Lock



11. Connecting Two Emergency Lamps



12. Connecting an Electronic Lock with Duress Finger

Ex) Fail Safe

