

Installation Guide for UBio-X Face V1.0

Walk Through Face Recognition Terminal



Doc Ver1.0
January., 15.2021
R&D Center
Union Community Co., Ltd.

1. The maximum cable length & thickness for installation

1) Using 15V 4A Power Supply & AWG24

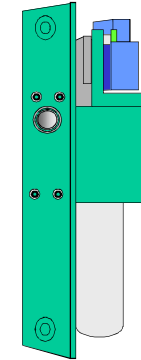


15V 4A Adapter

AWG24 10m



AWG24 10m



Dead-Bolt
BEHOST BHL-700C
(Standby:0.15A, Start:0.9A)

2) Using 15V 4A Power Supply & AWG22

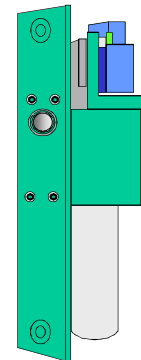


15V 4A Adapter

AWG22 20m



AWG22 10m



Dead-Bolt
BEHOST BHL-700C
(Standby:0.15A, Start:0.9A)

* Caution: The above data are the measured values when using the adapters and the dead-bolts provided by the Union Community.

1. The maximum cable length & thickness for installation

1) Using 15V 4A Power Supply & AWG20

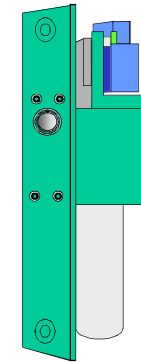


15V 4A Adapter

AWG20 40m



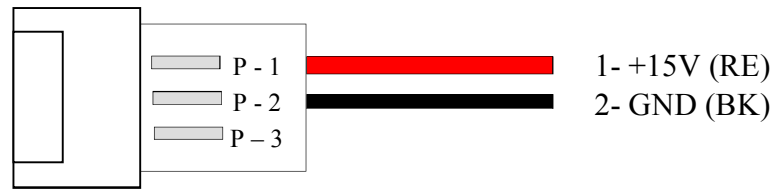
AWG20 10m



Dead-Bolt
BEHOST BHL-700C
(Standby:0.15A, Start:0.9A)

* Caution: The above data are the measured values when using the adapters and the dead-bolts provided by the Union Community.

2. Description of External Cables



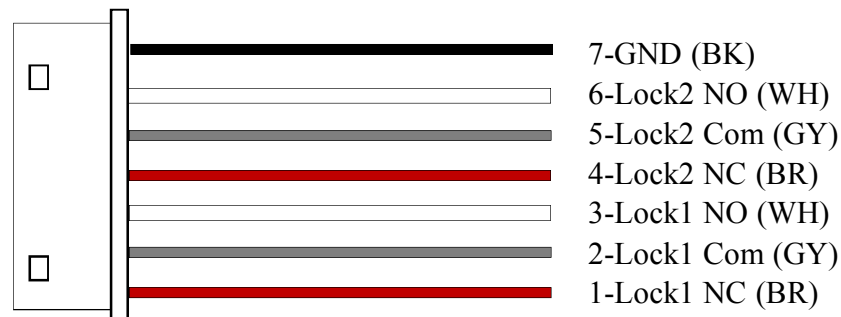
Power Adapter Cable(2P)



Wiegand Cable (5P)

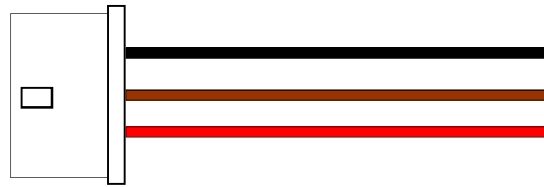


Lock Status Cable (5P)



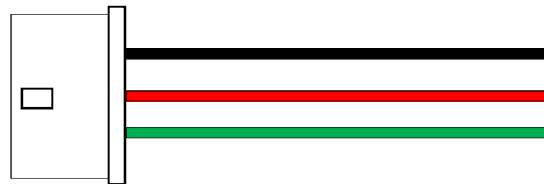
Lock Cable (7P)

2. Description of External Cables



GND (BK) - 3
RXD (BR) - 2
TXD (RE) - 1

RS232 Cable (3P)



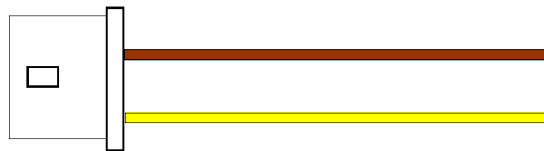
GND (BK) - 3
L_RED (RE) - 2
L_GREEN (GR) - 1

Light Bar Cable (3P)



GND (BK) - 2
5V Out (WH/BK) - 1

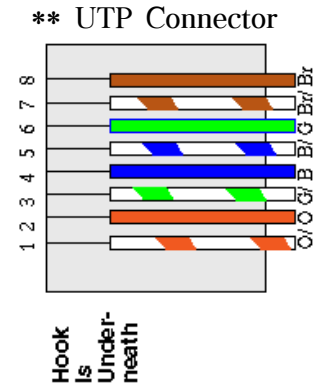
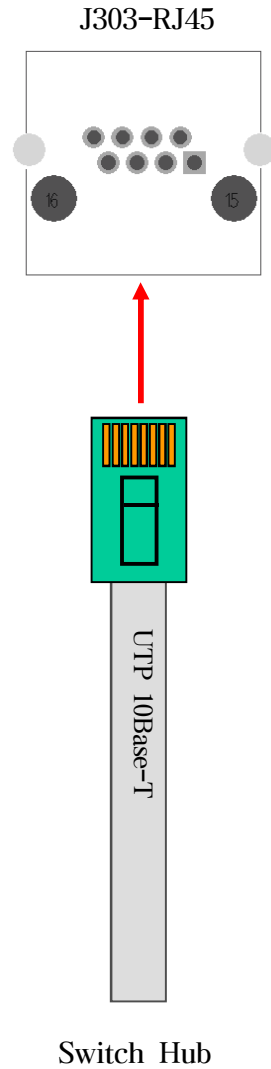
5V Out Cable (2P)



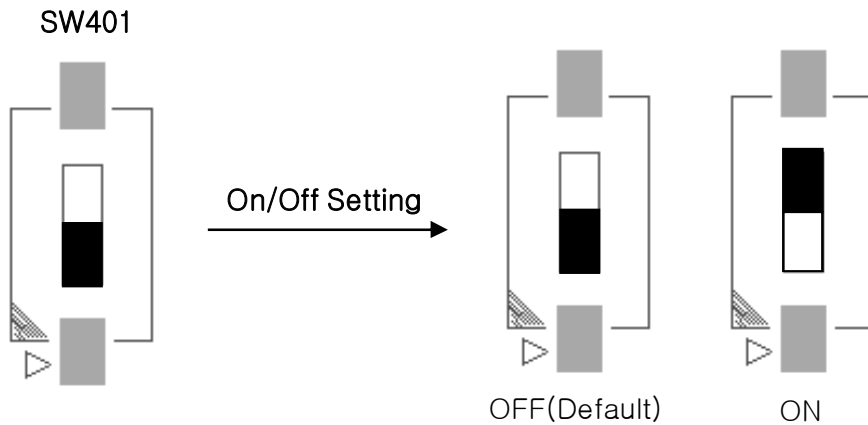
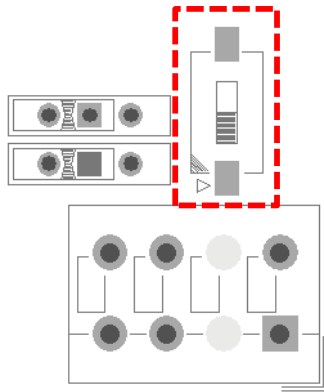
Motor- (BR) - 2
Motor+ (YE) - 1

Motor Cable (2P)

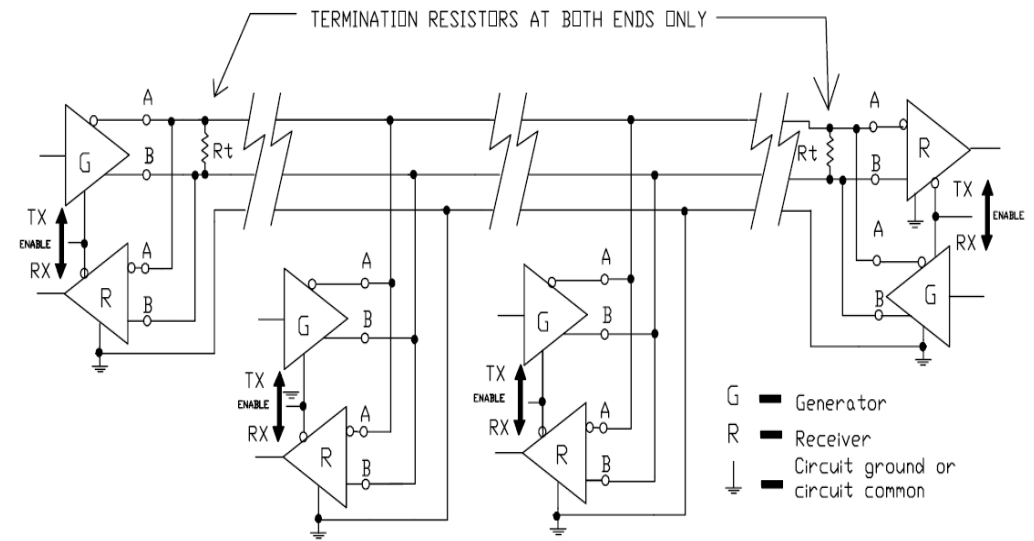
3. Connecting Ethernet (LAN) Cable



4. Resistor Setting for RS485 End Termination



- * Default Setting is off.
- * ON: 120 Ohm Resistor is connected between 485A and 485B

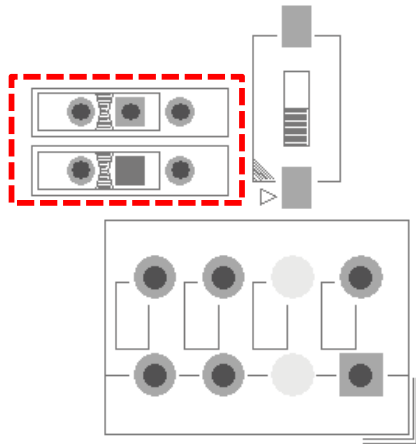


RS-485 TWO WIRE MULTIDROP NETWORK

5. Description of the switch for setting lock power

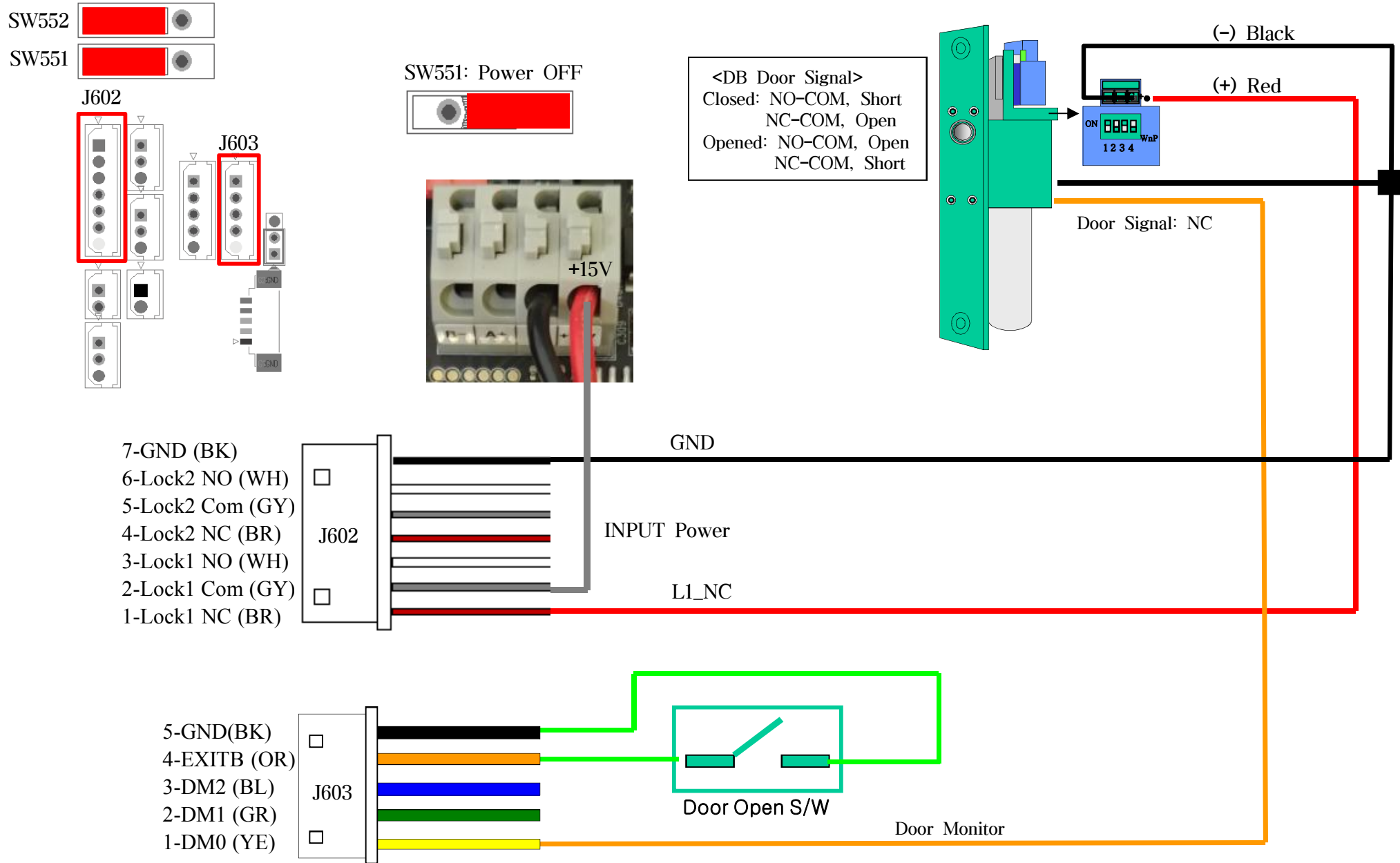
ON ↔ OFF

- SW552  Lock2 Power On/Off
- SW551  Lock1 Power On/Off



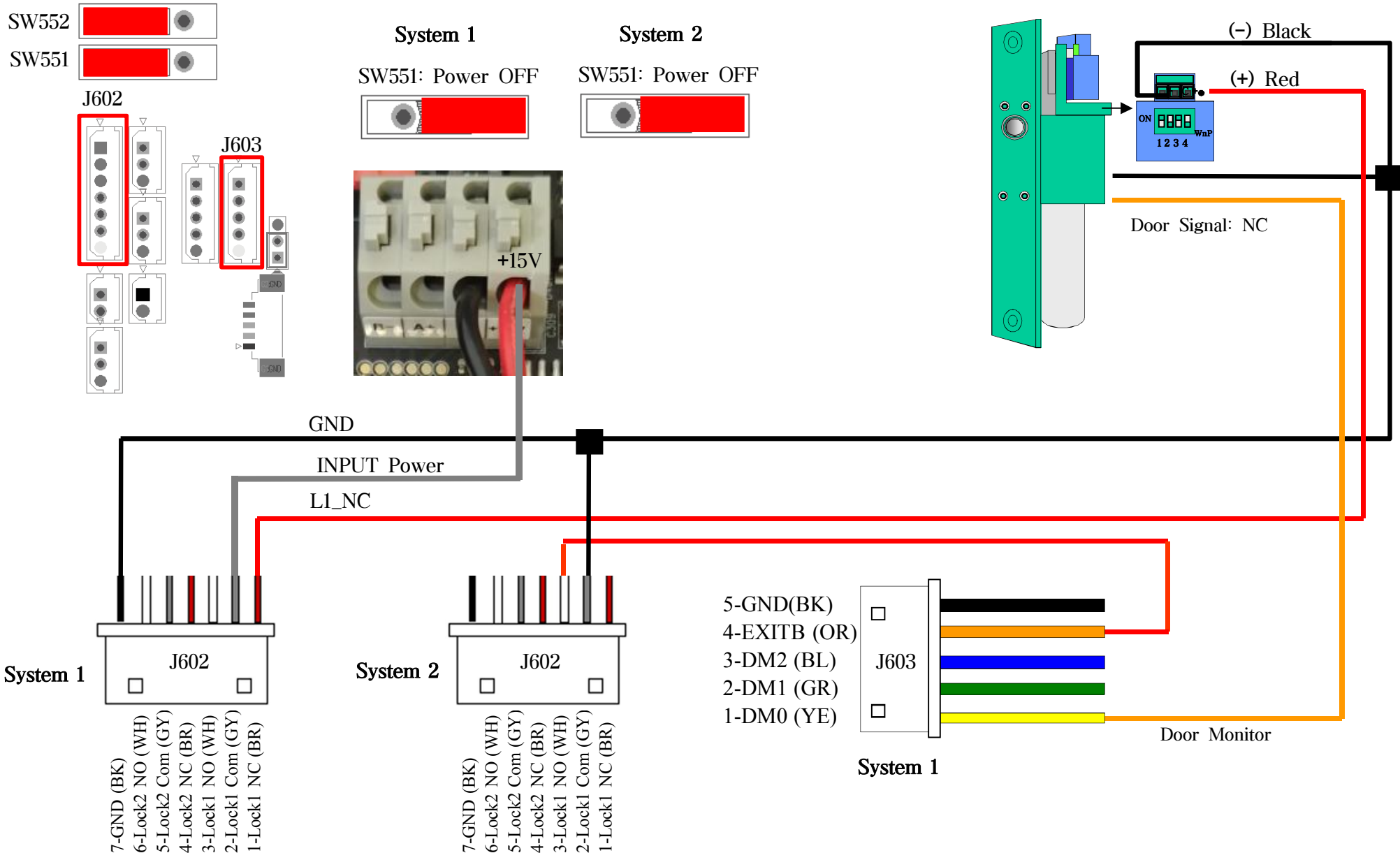
6. Connecting a Dead-Bolt Type Door Lock (Fail Safe)

6.1. Connecting One System/ One Lock



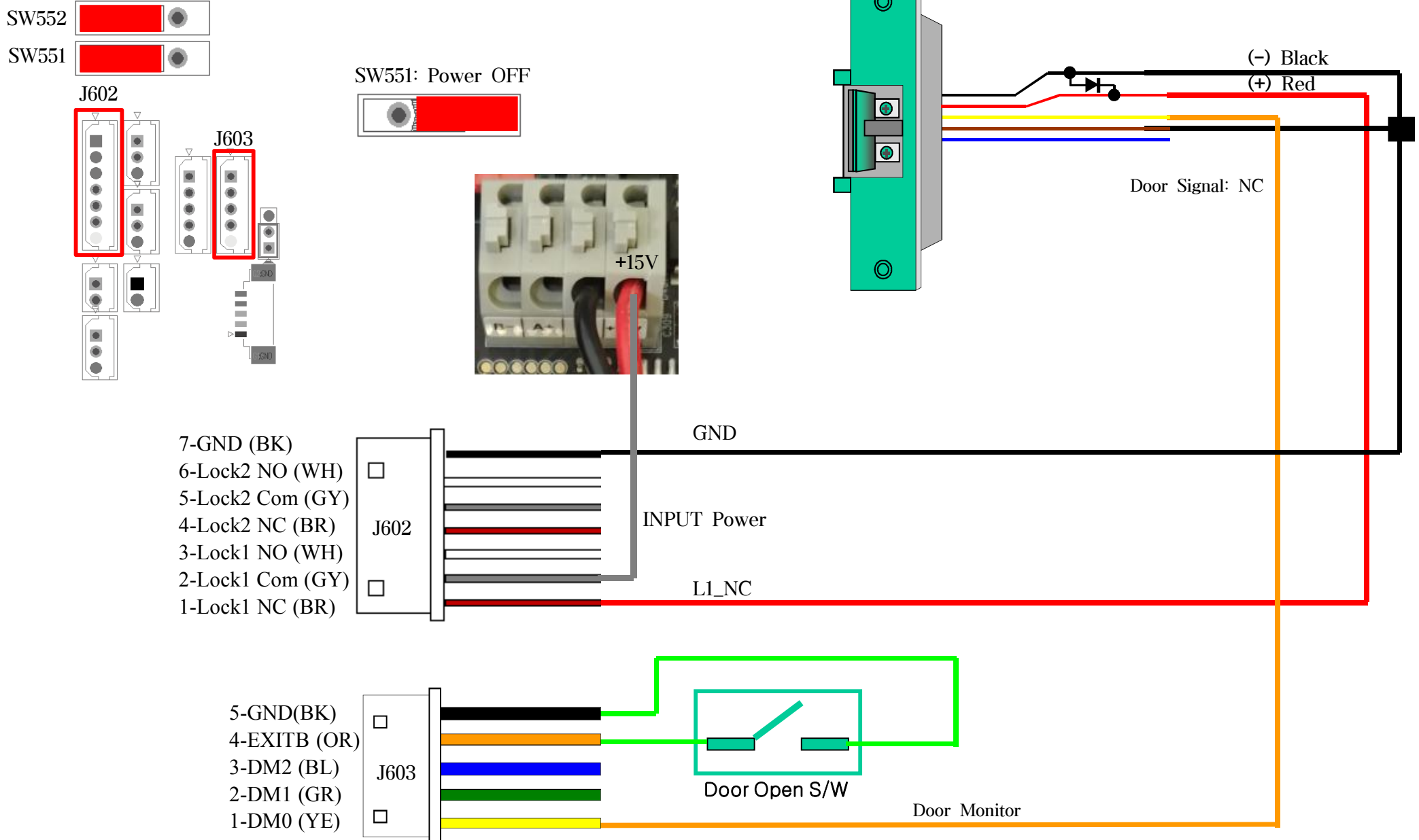
6. Connecting a Dead-Bolt Type Door Lock (Fail Safe)

6.2. Connecting Two Systems/ One Lock



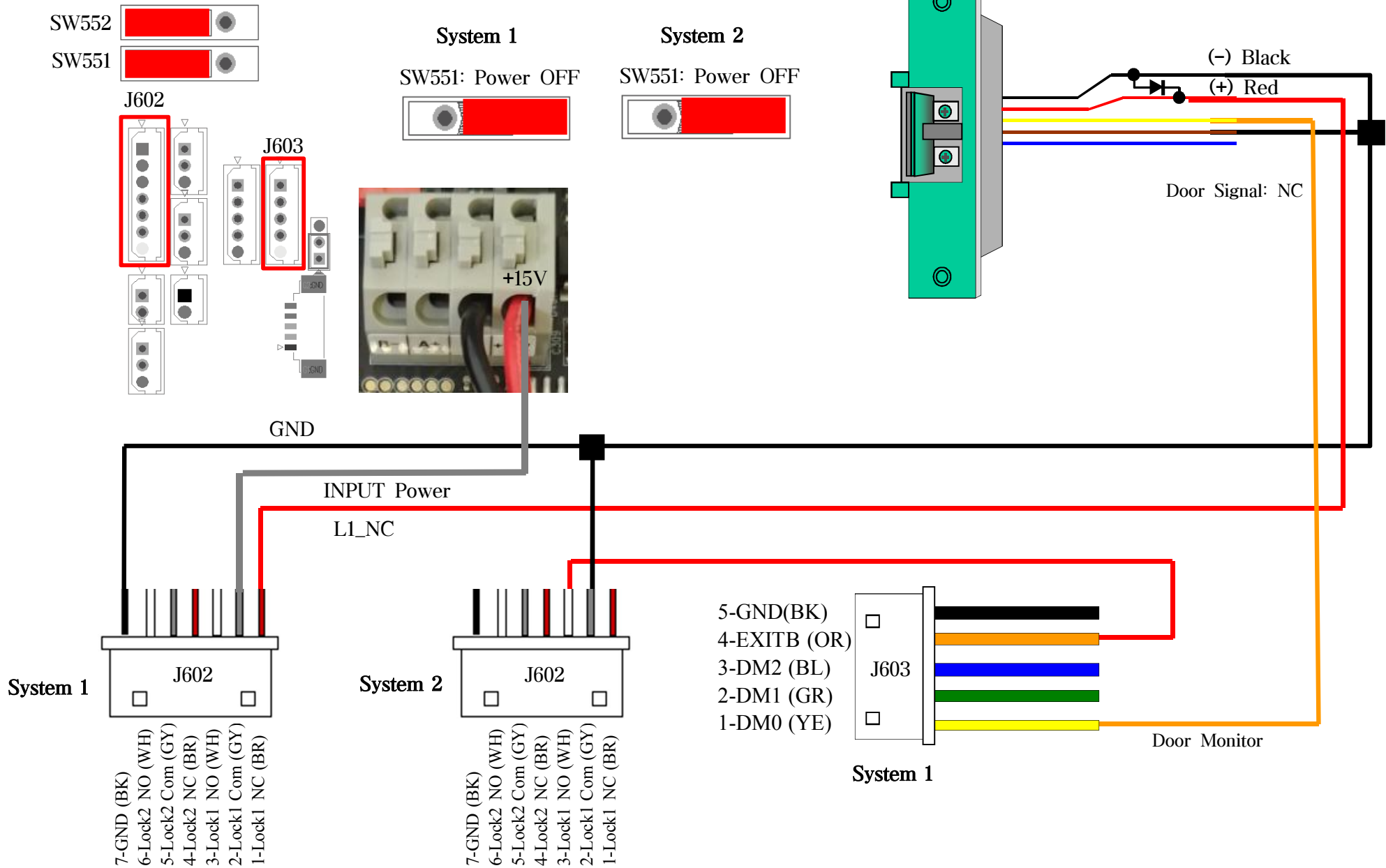
7. Connecting a Strike Type Door Lock (Fail Safe)

7.1. Connecting One System/ One Lock



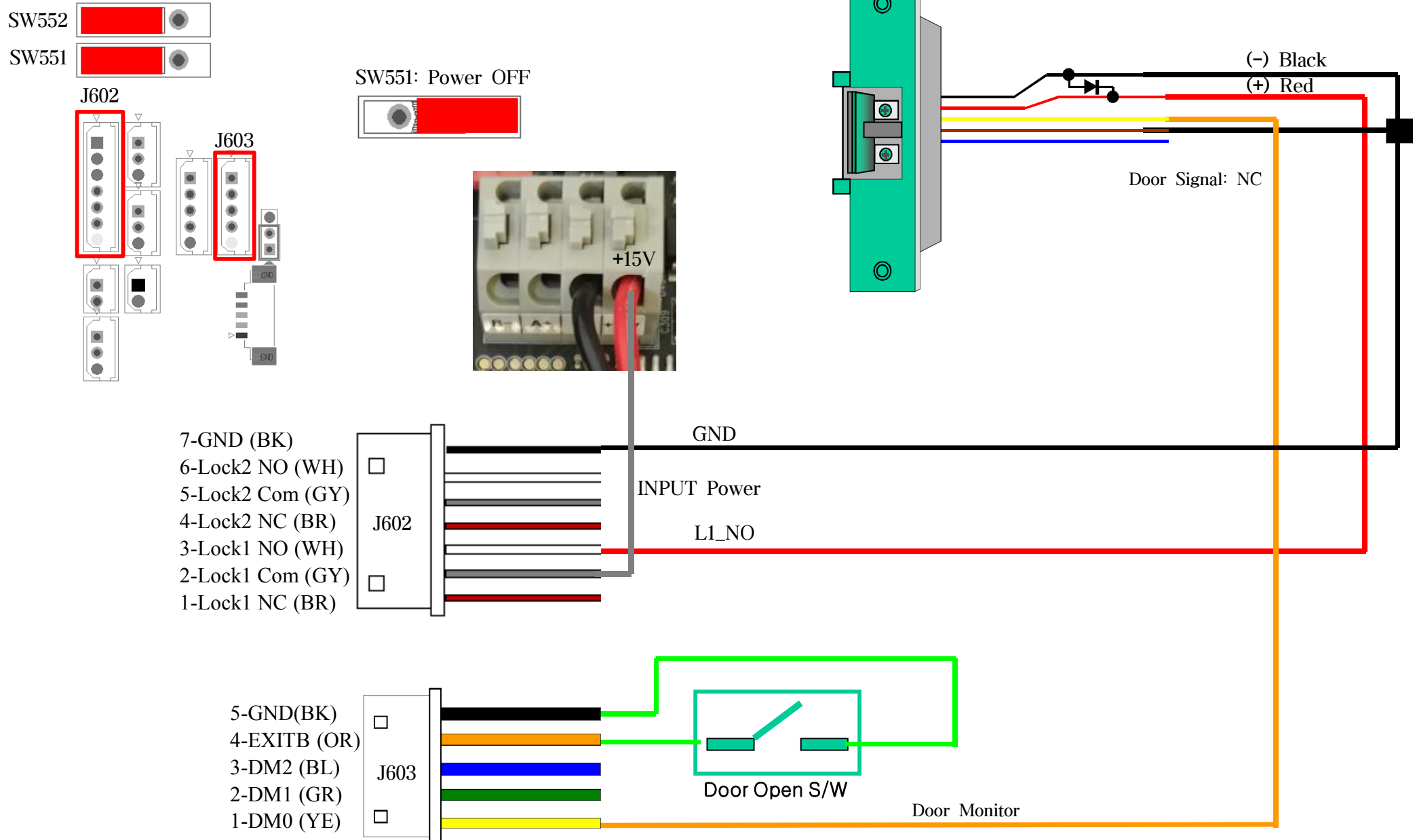
7. Connecting a Strike Type Door Lock (Fail Safe)

7.2. Connecting Two Systems/ One Lock



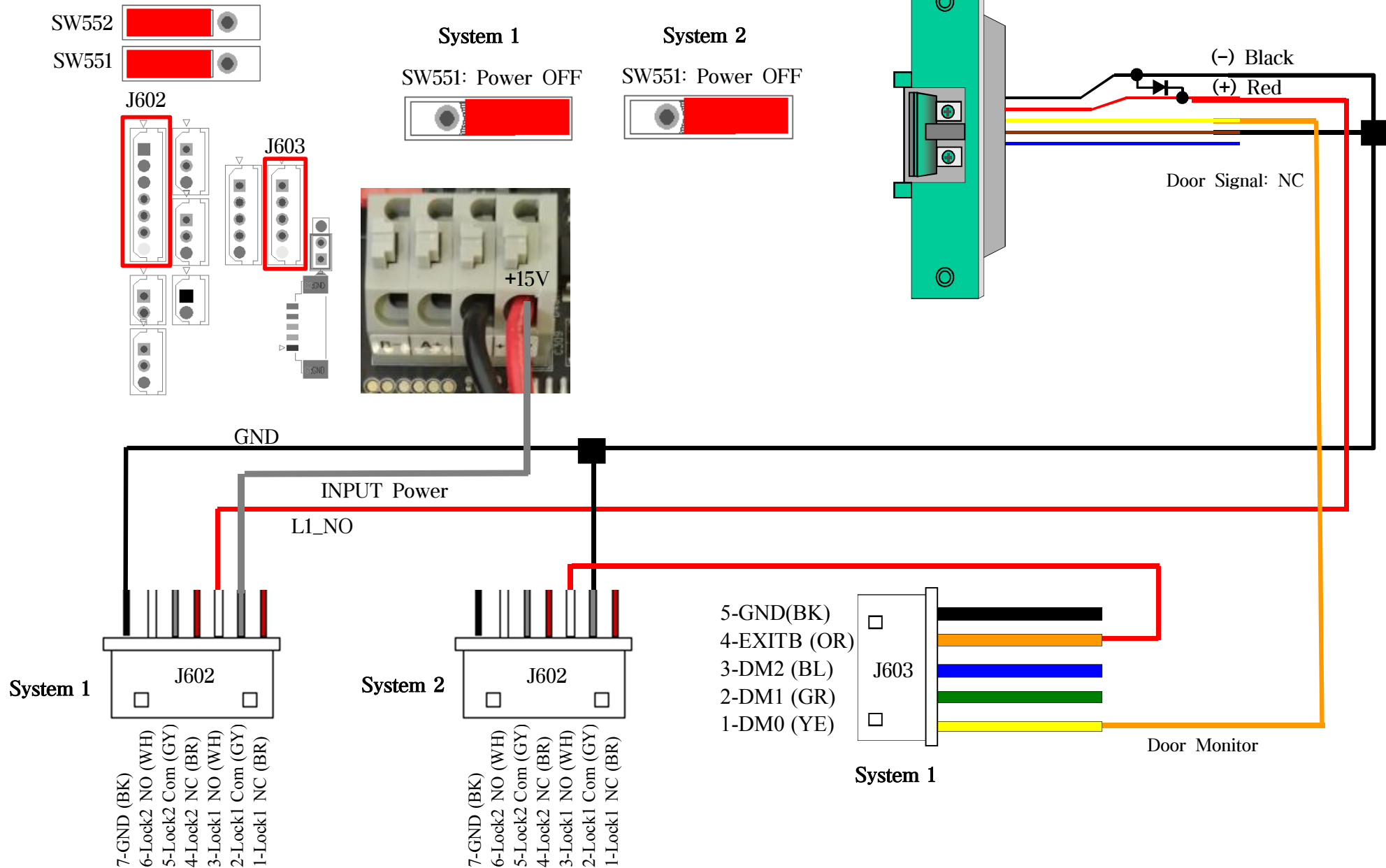
8. Connecting a Strike Type Door Lock (Fail Secure)

8.1. Connecting One System/ One Lock



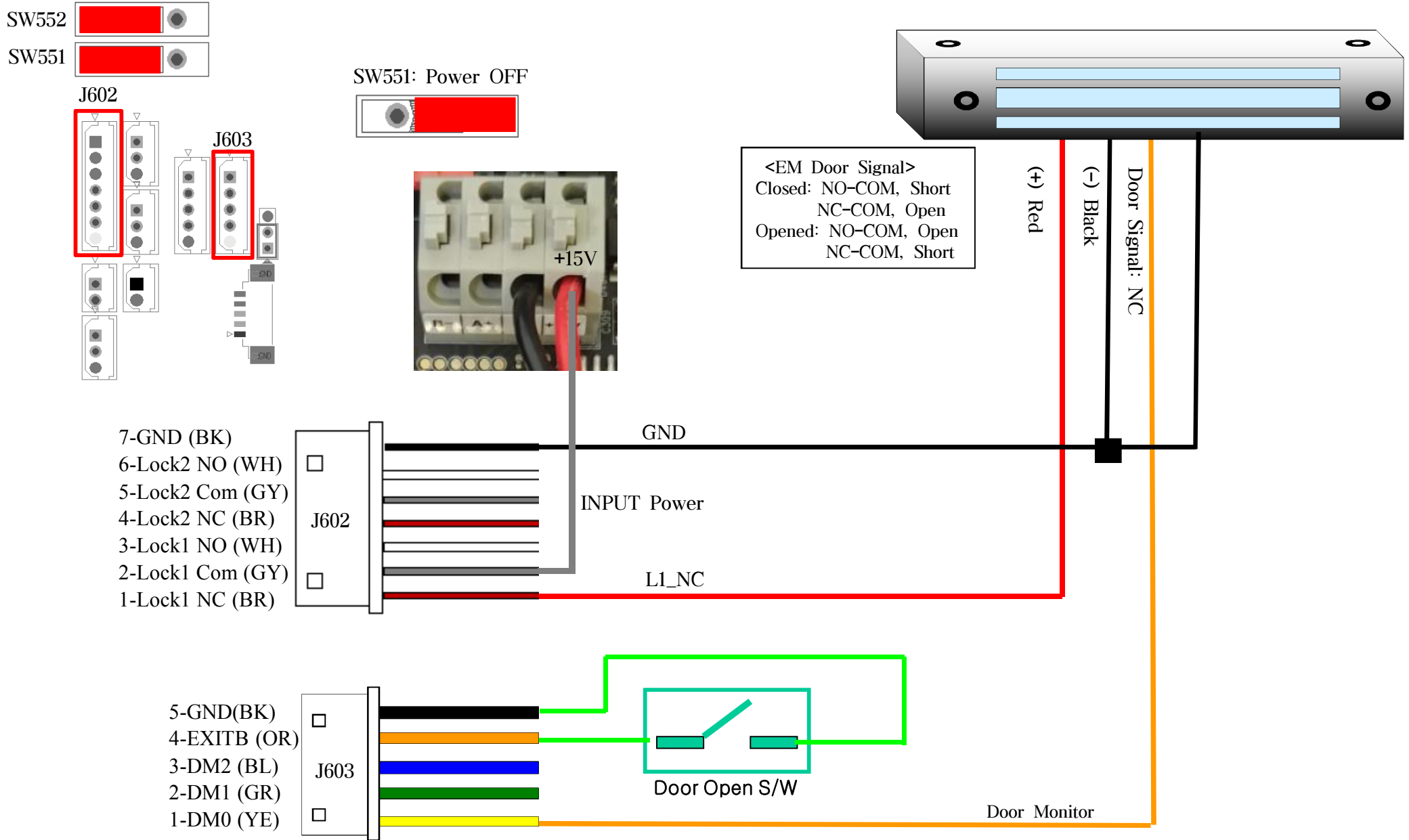
8. Connecting a Strike Type Door Lock (Fail Secure)

8.2. Connecting Two Systems/ One Lock



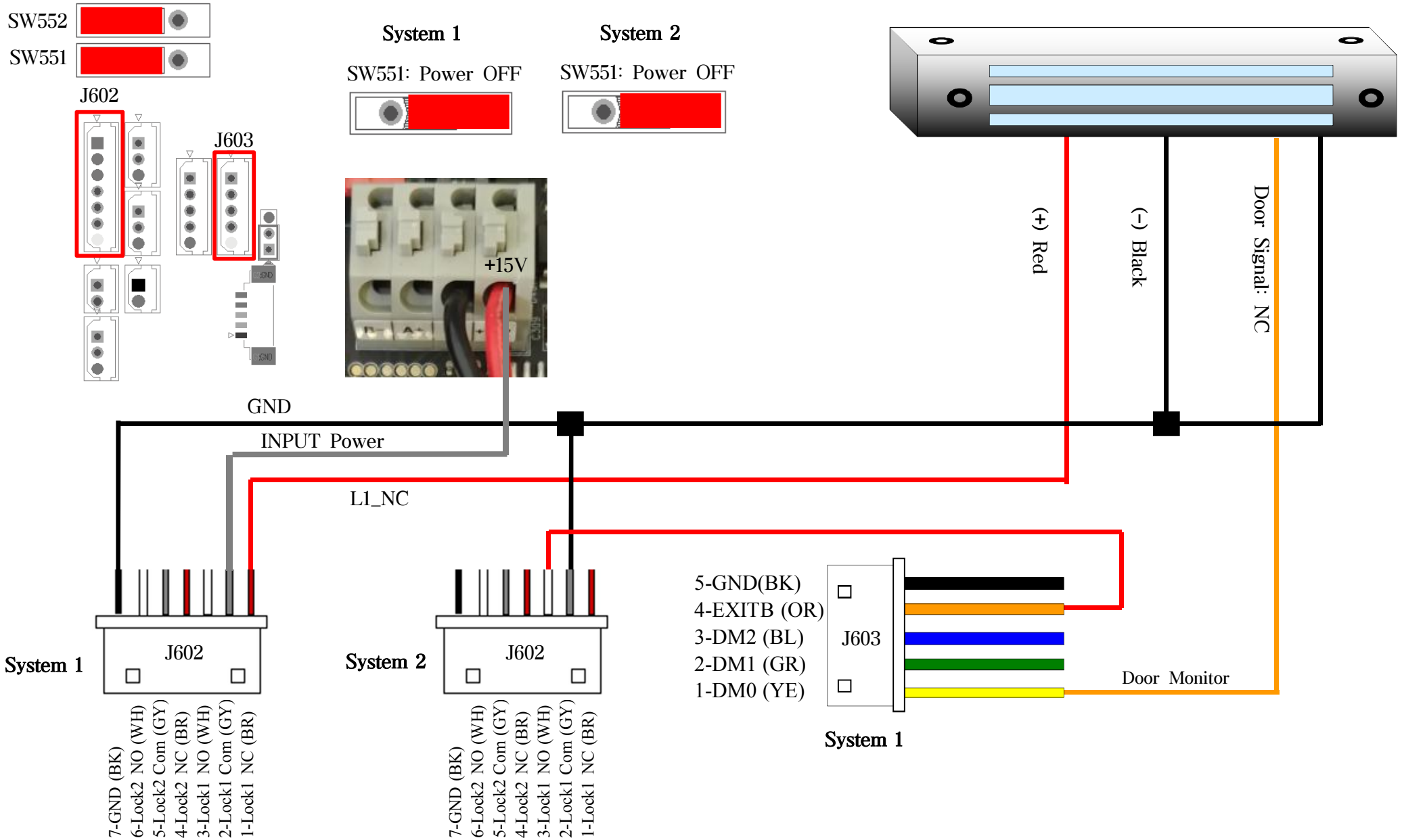
9. Connecting an EM Type Door Lock (Fail Safe)

9.1. Connecting One System/ One Lock



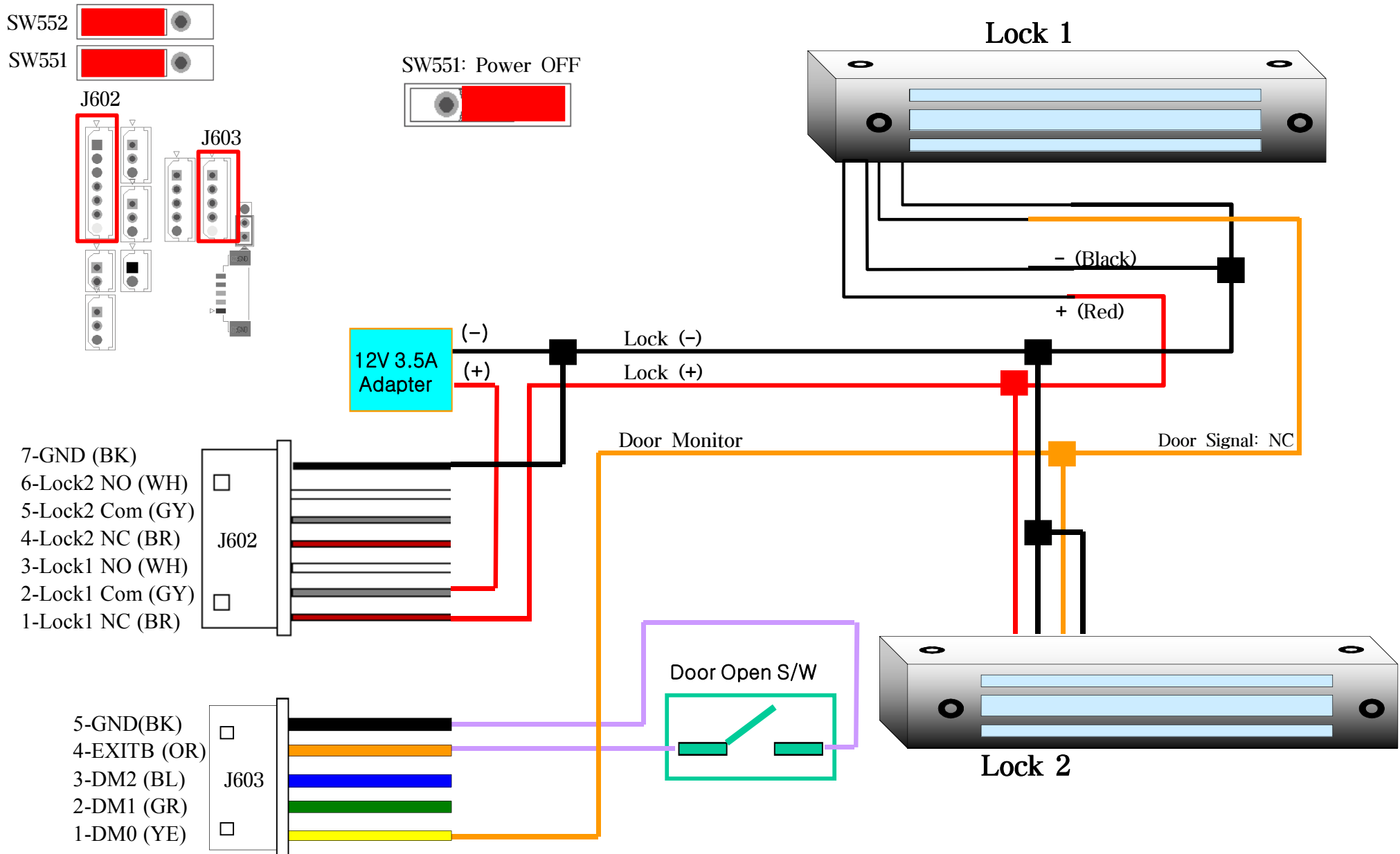
9. Connecting an EM Type Door Lock (Fail Safe)

9.2. Connecting Two Systems/ One Lock



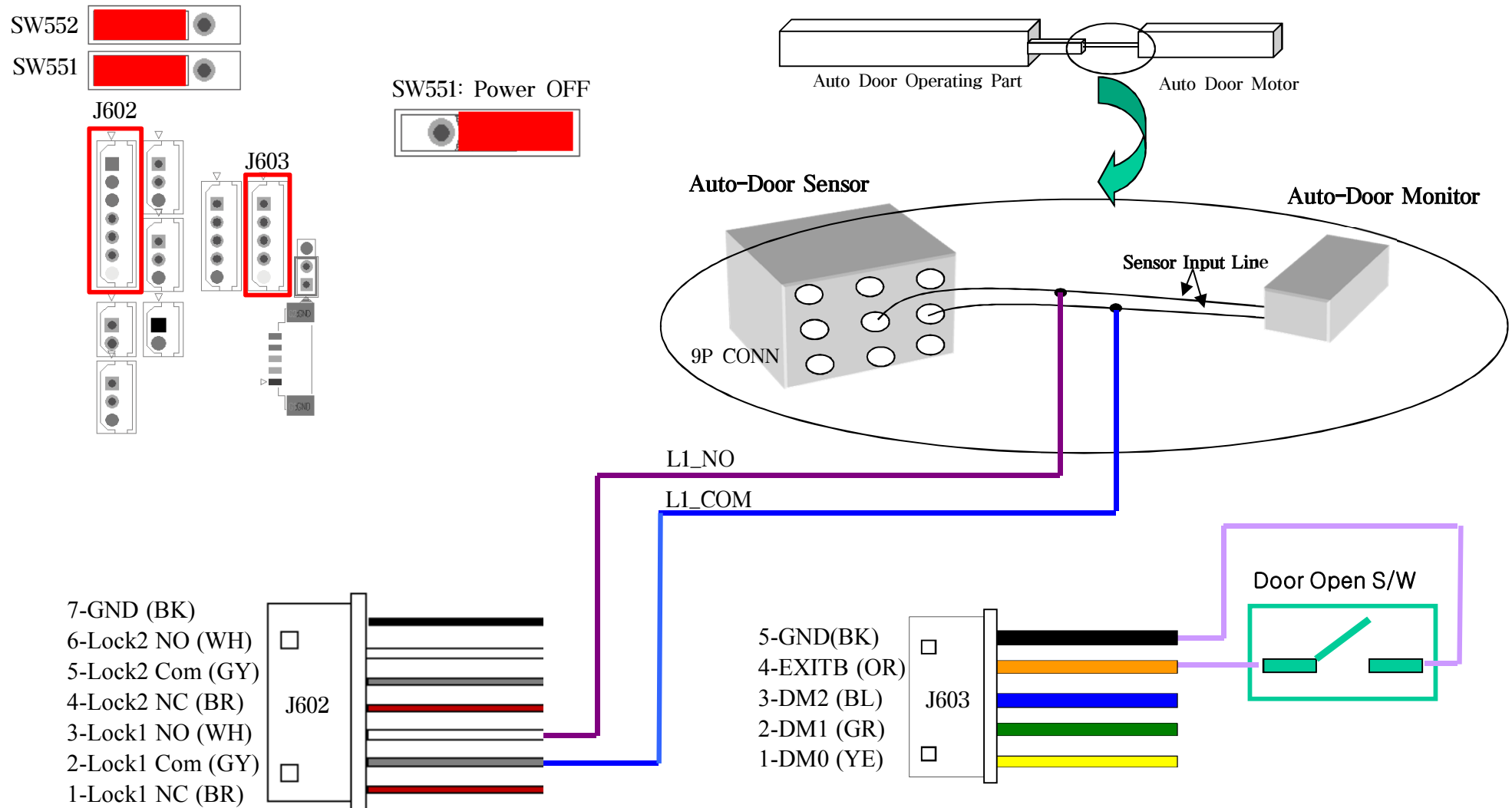
9. Connecting an EM Type Door Lock (Fail Safe)

9.3. Connecting One System/ Two Locks "Use external DC Power adapter"



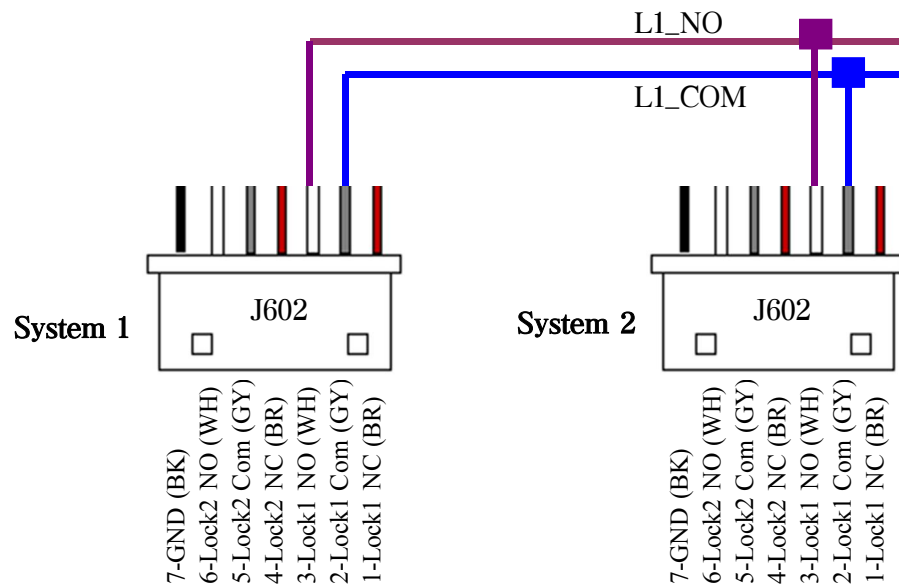
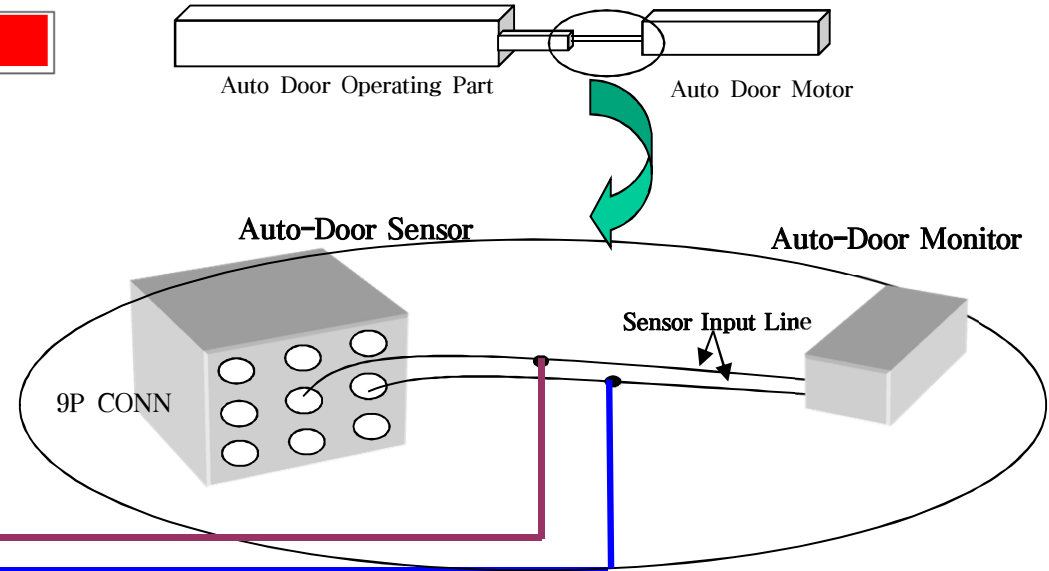
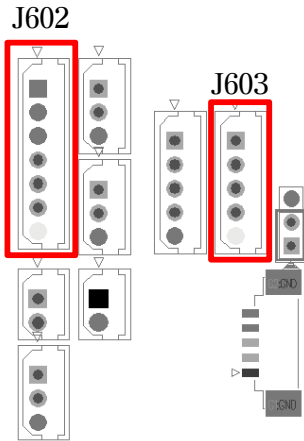
10. Connecting Auto-Door (Contact Control)

10.1. Connecting One System/ One Door

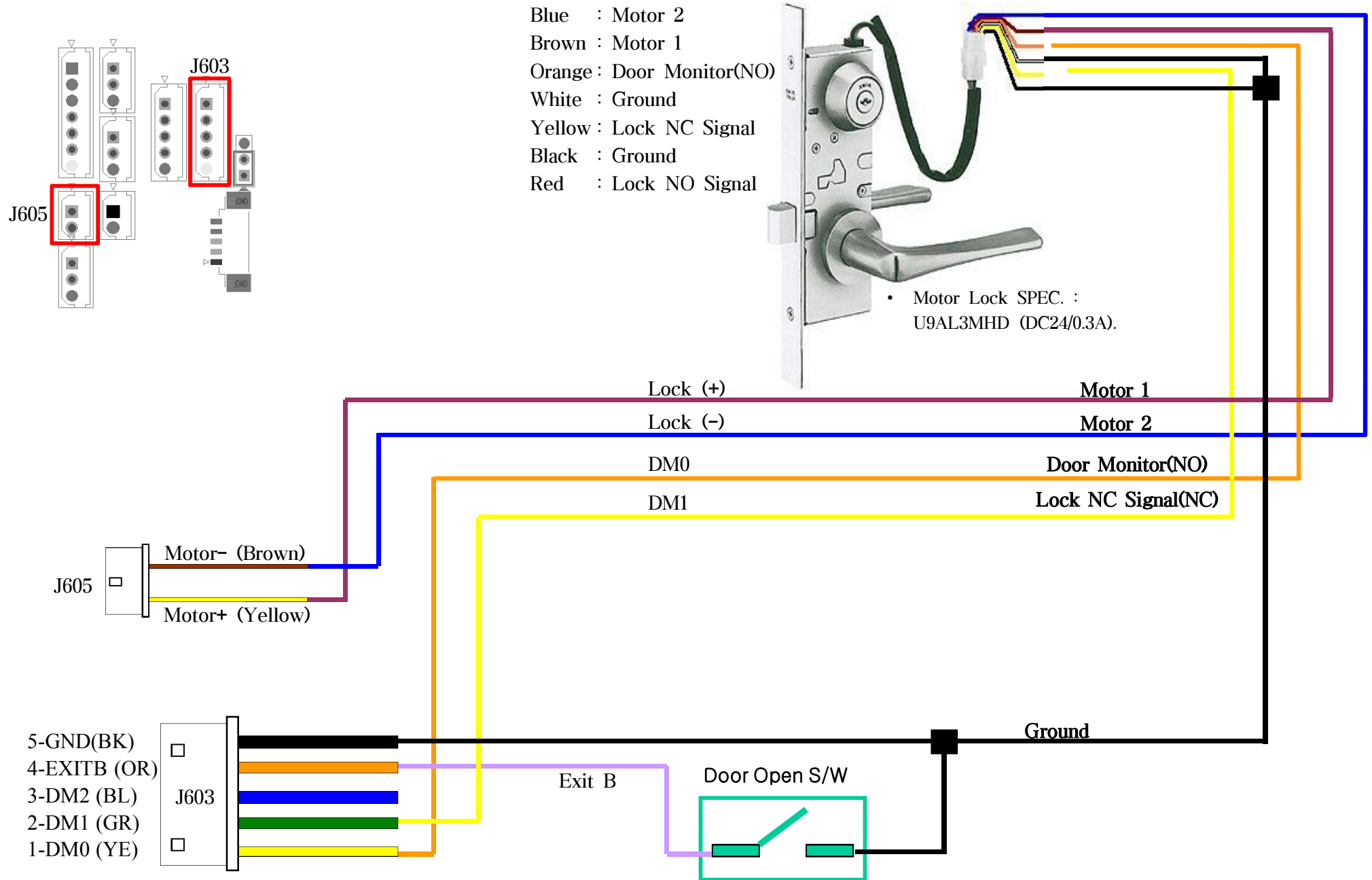


10. Connecting Auto-Door (Contact Control)

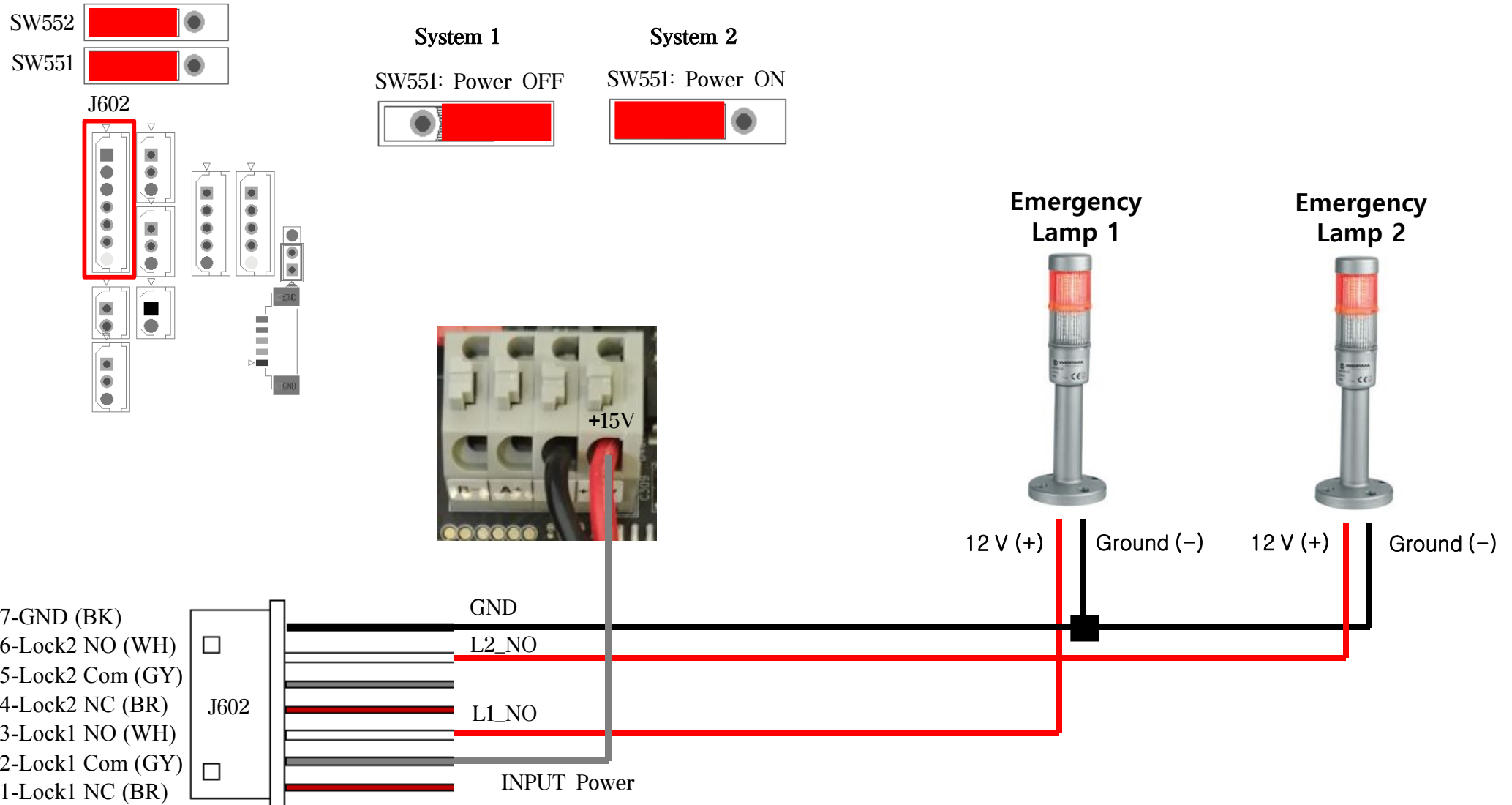
10.2. Connecting Two Systems/ One Door



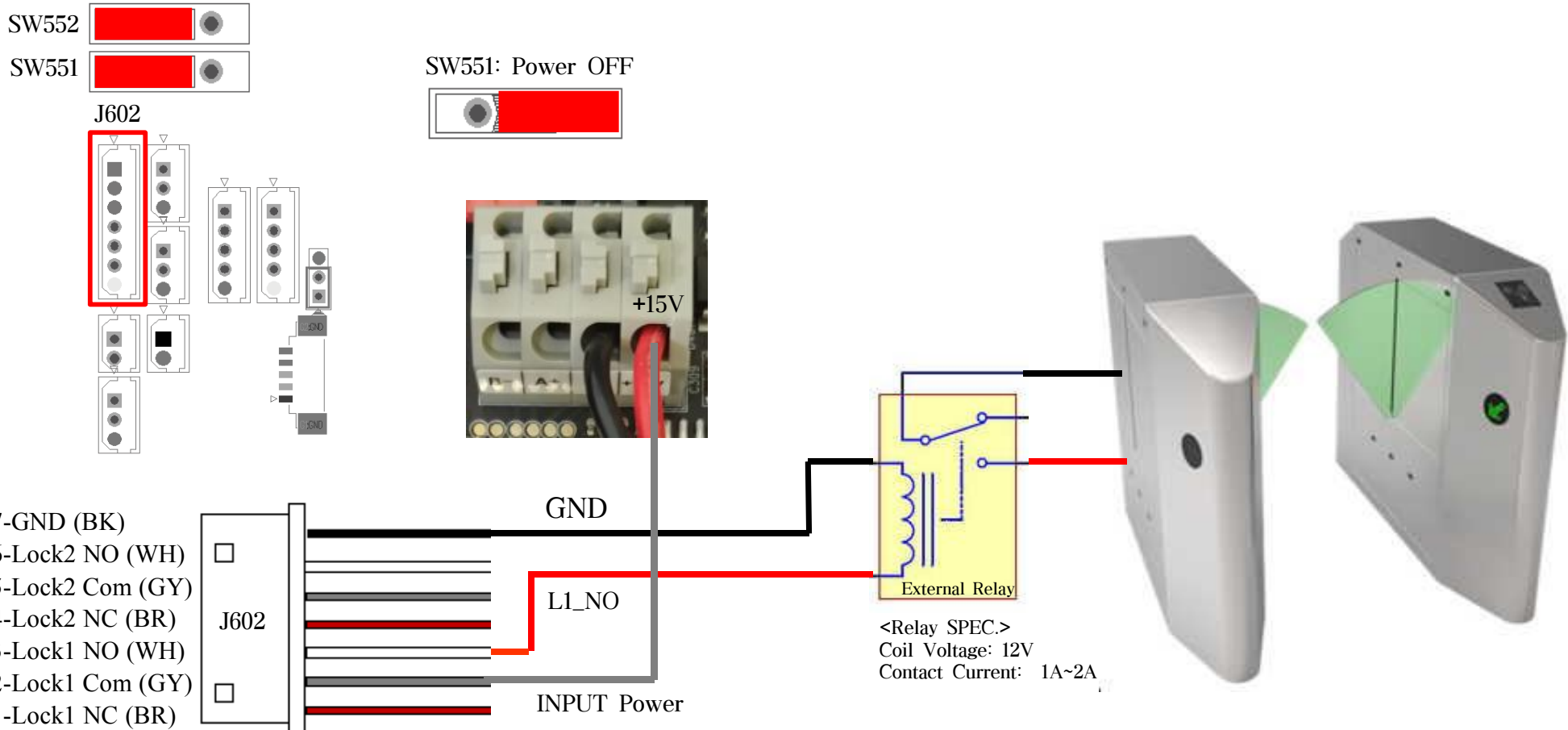
11. Connecting a Motorised Lock



12. Connecting Two Emergency Lamps

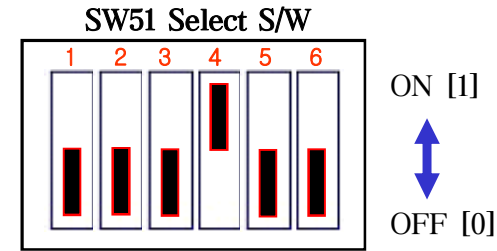
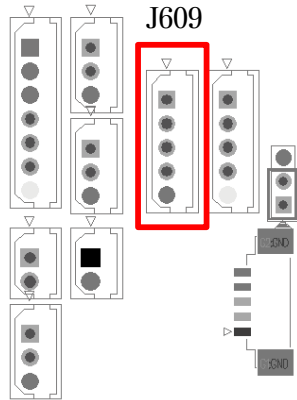


13.1 How to connect an external relay



** It is recommended to connect an external relay if a problem occurs after connection with an external equipment such as a speed gate.

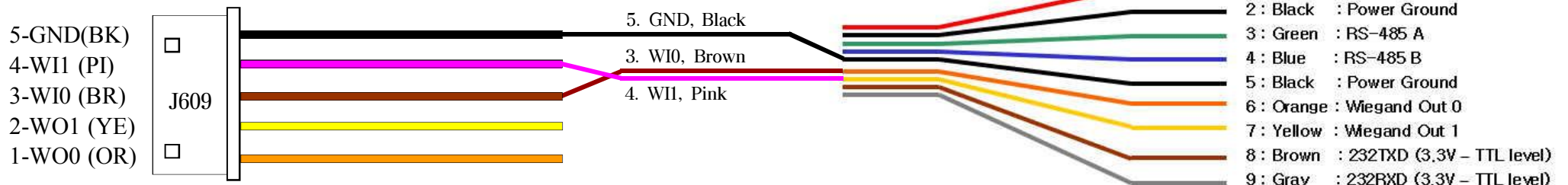
13.2 How to connect the VS-R20D RF Dummy Card Reader



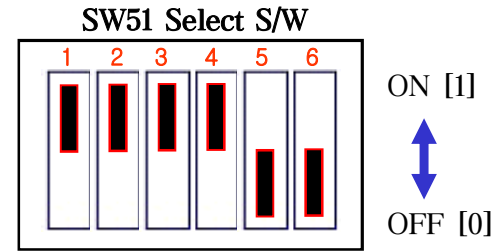
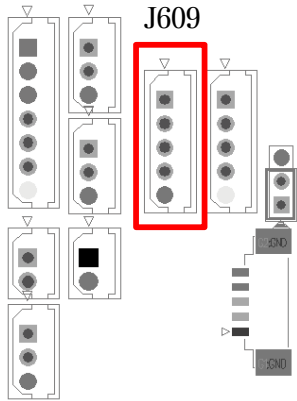
- * 1, 2, 3 OFF: 26Bit
- * 4 ON: Wiegand Mode



Wiegand Cable (5P)



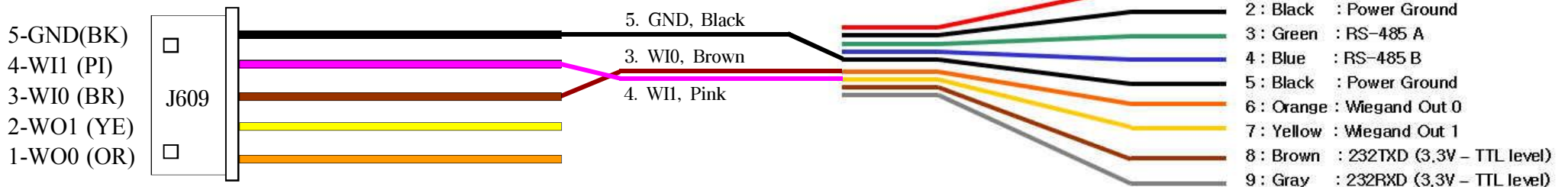
13.3 How to connect the VS-R20D SC Dummy Card Reader



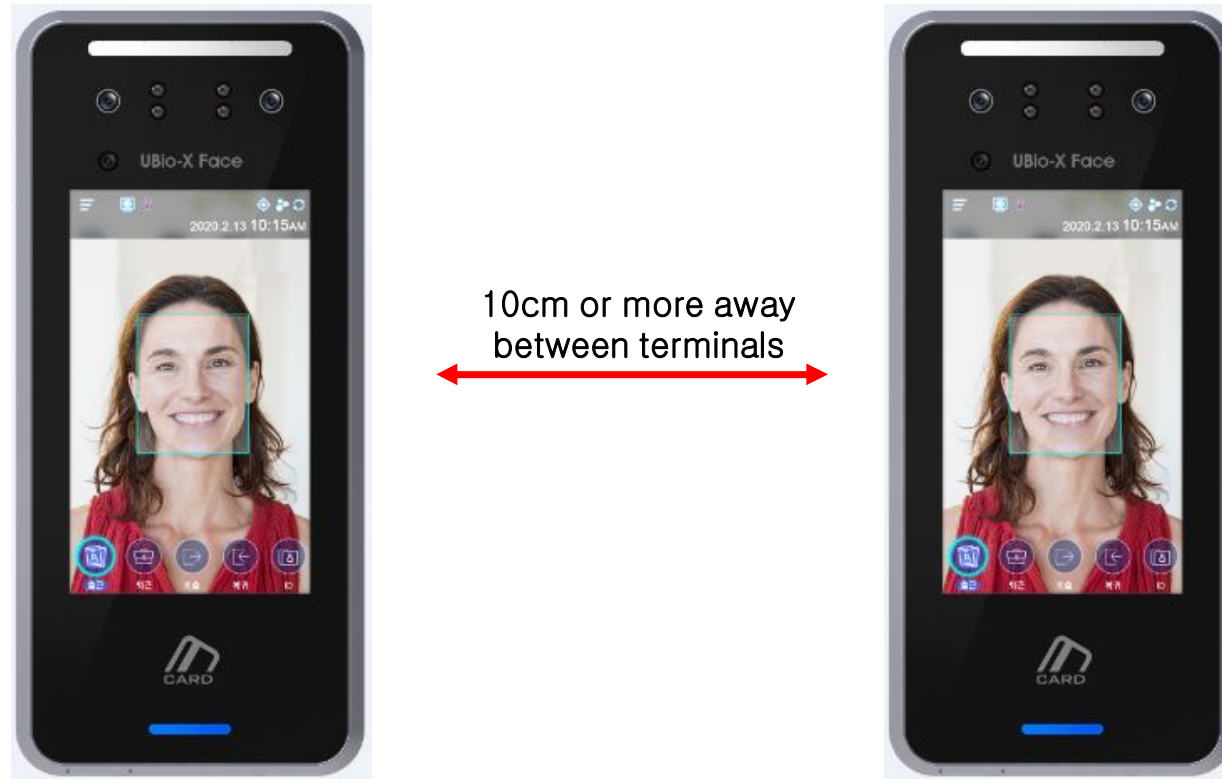
- * 1, 2, 3 ON: 34Bit
- * 4 ON: Wiegand Mode



Wiegand Cable (5P)



** Recommend installation guide1 (RF & SC Card)



- ** In order to prevent RF / SC card antenna interference between products, install at least 10cm apart from each other.
- ** Card recognition distance may be reduced when installed within 10cm.

** Recommend installation guide 2

